

Professional Dryer

PD9

Features and benefits

- PD9 is a large capacity tumble dryer for professional users
- Selection of temperature and time for easy operation
- Anti-crease cycle for avoiding creasing if the dryer is not unloaded
- Low energy consumption for optimal efficiency
- Reversible door hanging for a convenient laundry flow
- Large door opening for easy loading/unloading
- White painted cabinet



Options

- Coin meter
- Fresh air intake

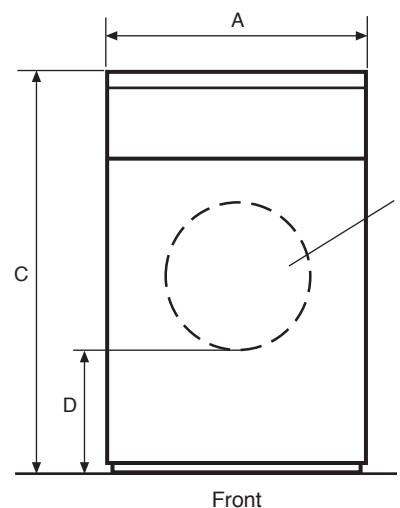
Main specifications		PD9	
Capacity, max	kg/lb	9/20	
Heating, electric	kW	6/8	
Consumption data*		6kW	8kW
Total time full load	min	47	37
Energy consumption full load	kWh	4.6	4.6
Evaporation	g/min	106	135
Energy kWh/litre water evaporated	kWh	0.92	0.92

* At rated capacity 100% cotton load at 55% initial moisture dried to 0%.

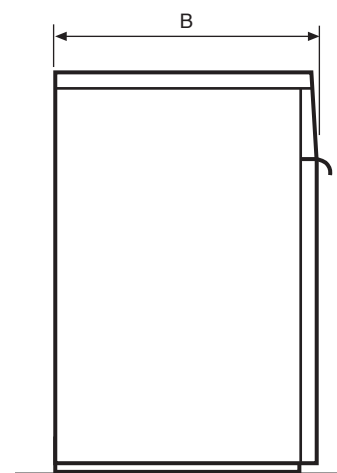
Certified in accordance with ISO 9001 and ISO 14001 and approved IP X4.

Electrical connections			PD9
Heating Voltage			
EI.	230-240V 1AC 50/60 Hz	kW(A)	6.3 (35)
	230V 3AC 50/60 Hz	kW(A)	8.3 (25)
	208-240V 3AC 60 Hz	kW(A)	6.3 (20)
	400V 3NAC 50/60 Hz	kW(A)	6.3 (10)
	400V 3NAC 50/60 Hz	kW(A)	8.3 (16)
Air connections			
Air outlet		ø mm	125
Evacuated air	6 kW (el)	m ³ /h	270
	8 kW (el)		290
Pressure drop	6 kW	Max. Pa	120
	8 kW		70
Sound levels			
Airborne sound level			
L _w		dB(A)	<68
Heat emission			
% of installed power, max			15
Shipping data			
		net, kg	103
		crated, kg	114
		crated, m ³	0.8
Dimensions in mm			
A	Width		720
B	Depth		745
C	Height		1130
D			420
E			110
F			120
G			960
H			45
I			1445
1	Door opening ø 400		
2	Electrical connection		
3	Exhaust connection		

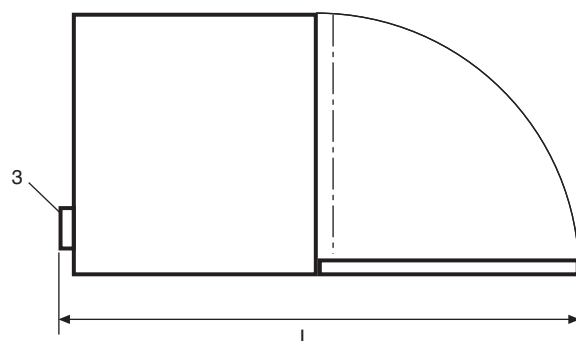
* Other voltages available see installation manual.



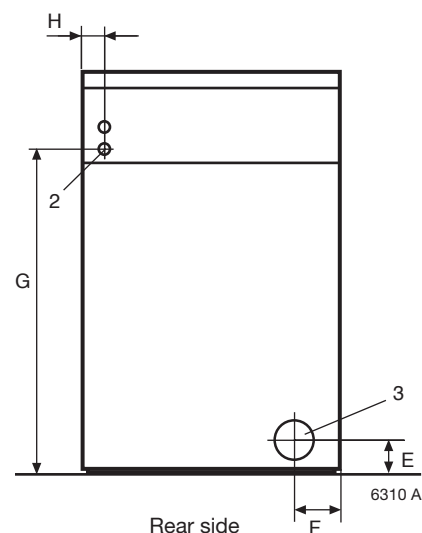
Front



Left side



Top view



Rear side

 **Electrolux**

www.electrolux.com/professional

Share more of our thinking at www.electrolux.com

Art. No. 471152771/03.07.04
We reserve the right to alter specifications without notice.