

# Tumble dryer

## T4130, T4130C

### Features and benefits

- Compass Control microprocessor
  - One knob operation for Program Selection and Start
  - Language selection
  - Large and clear display
- Residual Moisture Control for an accurate drying result and a low energy consumption
- Reversing drum for less tangling of large items
- Stainless steel drum
- Reversible door hanging for a convenient laundry flow
- Easy access to vital parts from the top and rear for simple servicing
- Serviceprogram for adjustment parameters eg. temperature, cool-down time



### Main options

- Stainless steel front
- Payment: coinmeter, chip card reader, CP connection
- Stacking frame for mounting T4130 on top of W455H
- Stainless steel base frame
- Integrated condense system

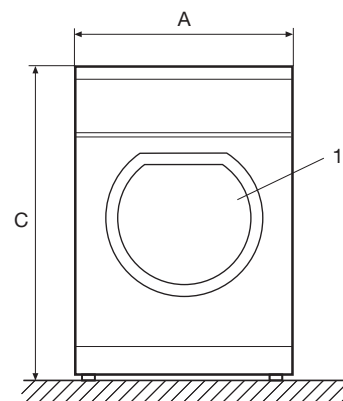
Main specifications			T4130	T4130C
Rated capacity,	filling factor 1:18	kg/lb	7.2/16	7.2/16
	filling factor 1:25	kg/lb	5.2/12	5.2/12
Drum volume		litre	130	130
Drum diameter		mm	575	575
Heating alternatives				
electric		kW	5.1	3.0
<b>Consumption data*</b>				
Total time full load		min	34	59
Energy consumption full load		kWh	2.75	3
Evaporation		g/min	81	43
Energy kWh/litre water evaporated		kWh/l	0.93	1.16

\* At rated capacity 100% cotton load at 50% initial moisture dried to 0%.

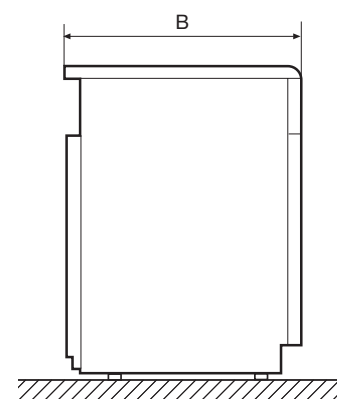
Certified in accordance with ISO 9001 and ISO 14001 and approved IP X4.

Electrical connections*		T4130	T4130C
Voltage			
220-240V 3AC 50/60 Hz	kW(A)	5.3 (16)	3.4 (16)
220-240V 1AC 50/60 Hz	kW(A)	3.4 (16)	3.4 (16)
400-440V 3NAC 50/60 Hz	kW(A)	5.3 (10)	3.4 (10)
<b>Connections</b>			
Air outlet	mm	∅ 100	-
Evacuated air	m <sup>3</sup> /h	260	-
Condensate		-	1/2"
Pressure drop	Max. Pa	50	-
<b>Sound levels</b>			
Airborne sound level	dB(A)	<70	<70
<b>Heat emission</b>			
% of installed power, max		15	15
<b>Shipping data</b>			
	net, kg	60	63
	crated, kg	67	70
	boxed, kg	101	101
Shipping volume	crated, m <sup>3</sup>	0.52	0.52
	boxed, m <sup>3</sup>	0.63	0.63
<b>Accessories</b>			
Stacking frame for mounting T4130 on top of W455H		x	x
Stainless steel base frame		x	x
<b>Dimensions in mm</b>			
<b>A</b> Width		595	595
<b>B</b> Depth		735	735
<b>C</b> Height		850	850
<b>D</b>		78	78
<b>E</b>		78	78
<b>F</b>		100	100
<b>G</b>		197	197
<b>H</b>		235	235
<b>I</b>		115	115
<b>J</b>		300	300
<b>K</b>		70	70
<b>1</b> Door opening ∅ 370	<b>3</b> Exhaust connection		
<b>2</b> Electrical connection	<b>4</b> Condensate connection		

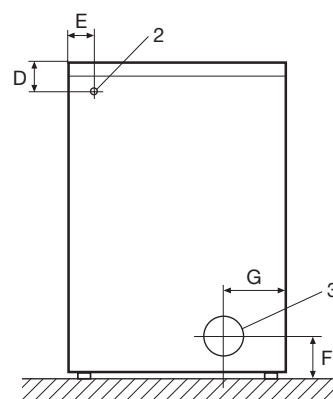
\* Other voltages available, see installation manual.



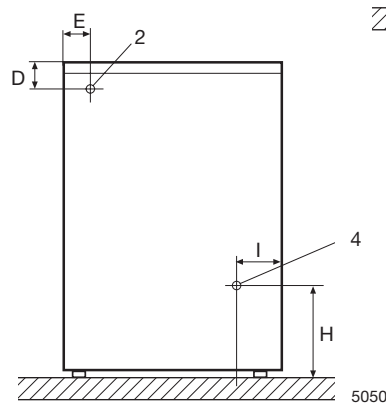
Front



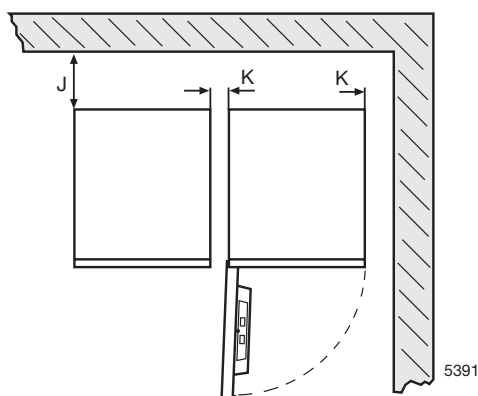
Right side



Rear side



Rear side for condensing tumbler



5391

5050

Electrolux

www.electrolux.com/professional

Share more of our thinking at [www.electrolux.com](http://www.electrolux.com)

Art. No. 471150851/03.07.04  
We reserve the right to alter specifications without notice.