

Washer extractors

W465H, W475H, W4105H

Features and benefits

- High extraction force for efficient dewatering
- Available with two types of program controls:
 - Compass Control® with:**
 - Large display and one dial for easy program selection
 - Language selection
 - Two Quick Start buttons for frequently used wash programs
 - Wash program packages optimized on *Economy, Performance and Time*
 - Clarus Control® with:**
 - Fully programmable microprocessor
 - All relevant wash parameters can be programmed
 - Programming from key pad or downloading via memory card
- AWS – Automatic Weighing System with Compass Control – determine the wash load and adopt the water intake accordingly. Savings on water and energy if machine is not fully loaded
- Extremely low water and energy consumption – see table below
- Four compartment soap box for manual dosing of powder or liquid detergent
- Large door opening for easy loading/unloading
- Low noise level for pleasant working environment
- Stainless and galvanized steel in all vital parts for high degree of rust protection
- SuperBalance™ guarantees the correct extraction force



Compass Control

Main options

- Automatic liquid detergent supply (optional I/O board for Compass Control)
- Stainless steel front panel
- Stainless steel side panel (Clarus Control only)
- Connection to payment system or coin meter (Compass Control only)
- Drain pump

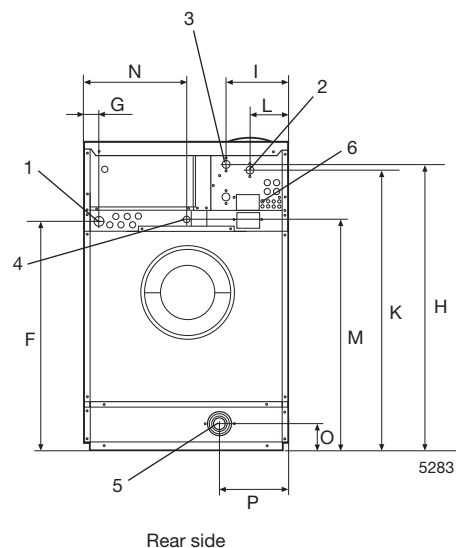
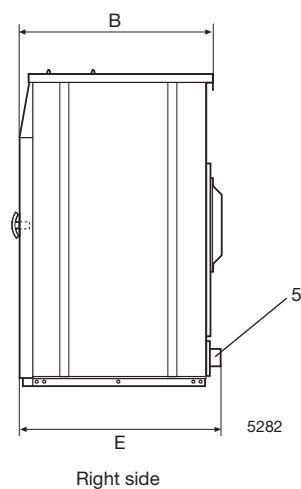
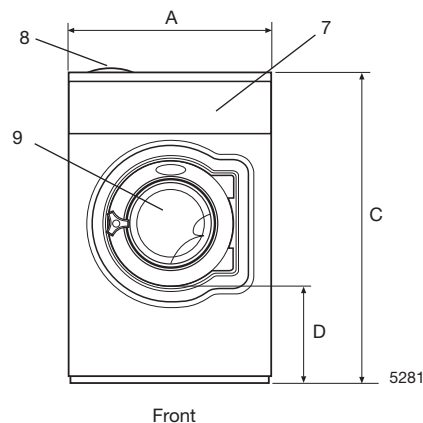


Clarus Control

| Main specifications | | | | W465H | | W475H | | W4105H | |
|--|-------------|-------|-------------|-------|-------------|-------|-----------|--------|-------|
| Max. capacity | | kg/lb | 7/15 | | 8/18 | | 11/25 | | |
| Drum, | volume | litre | 65 | | 75 | | 105 | | |
| | diameter | ø mm | 520 | | 520 | | 595 | | |
| Extraction | | rpm | 1100 | | 1100 | | 1025 | | |
| G-factor | | | 350 | | 350 | | 350 | | |
| Heating alternatives, 230/400V | electricity | kW | 2/3/5.4/7.4 | | 2/3/5.4/7.4 | | 7.4/9.7 | | |
| | steam | | x | | x | | x | | |
| | non-heated | | x | | x | | x | | |
| Consumption data "Normal 60°C" * (3G01) | | | | El | Steam | El | Steam | El | Steam |
| Total time | | min | 45 | ** | 45 | ** | 46 | ** | |
| Water consumption (cold/hot) | | litre | 43/11 | 43/11 | 49/13 | 49/13 | 68/18 | 68/18 | |
| Energy consumption (motor/heating)* | | kWh | 0.15/0.3 | 0.15 | 0.2/0.3 | 0.2 | 0.25/0.45 | 0.25 | |
| Steam consumption | | kg | - | 0.5 | - | 0.45 | - | 0.7 | |
| * Water temperature 15°C cold water and 65°C hot water | | | | | | | | | |
| ** Depending on steam pressure | | | | | | | | | |

Certified in accordance with ISO 9001 and ISO 14001 and approved IP 24D.

| Electrical connections* | | | W465H | W475H | W4105H |
|-----------------------------------|-----------------------|-------|---|---------|---------|
| Heating | Voltage | | | | |
| El. | 230V 1AC 50 Hz | kW(A) | 7.3(35) | 7.4(35) | 9.7(50) |
| | 230V 3AC 50 Hz | kW(A) | 7.3(20) | 7.4(25) | 9.7(35) |
| | 240V 3AC 60 Hz | kW(A) | 7.3(20) | 7.4(25) | 9.7(35) |
| | 400V 3N AC 50 Hz | kW(A) | 7.4(16) | 7.4(16) | 9.7(16) |
| Steam or non-heated | 230V 1AC 60 Hz | kW(A) | 1.0(10) | 1.1(10) | 1.3(10) |
| | 240V 1AC 60 Hz | kW(A) | 1.0(10) | 1.1(10) | 1.3(10) |
| | 230V 1AC 50 Hz | kW(A) | 1.0(10) | 1.1(10) | 1.3(10) |
| Water and steam connection | | | | | |
| Water valves | DN | | 20 | 20 | 20 |
| Water pressure | kPa | | 150-400 | 150-400 | 150-400 |
| Capacity at 300 kPa | l/min | | 27 | 27 | 27 |
| Drain valve | ømm | | 50/75 | 50/75 | 50/75 |
| Draining capacity | l/min | | 150 | 150 | 150 |
| Steam valve | DN | | 15 | 15 | 15 |
| Steam pressure | kPa | | 300-600 | 300-600 | 300-600 |
| Liquid detergent supplies | | | 5 | 5 | 5 |
| Floor requirements | | | | | |
| Frequency of the dynamic force | Hz | | 18.3 | 18.3 | 17.1 |
| Max floor load at extraction | kN | | 1.6±0.5 | 1.8±0.5 | 2.3±0.5 |
| Sound levels | | | | | |
| Sound pressure level** | dB(A) | | 64 | 65 | 69 |
| Sound power level (IEC 60704-2-4) | dB(A) | | 73 | 72 | 77 |
| Heat emission | | | | | |
| % of installed power, max | | | 5 | 5 | 5 |
| Shipping data | | | | | |
| Weight | net, kg | | 154 | 159 | 201 |
| | crated, kg | | 167 | 179 | 225 |
| Shipping volume | m ³ | | 0.75 | 0.75 | 0.99 |
| Accessories | | | | | |
| Steel base | | | x | x | x |
| Hose kits for water or steam | | | x | x | x |
| Fluff collector | | | x | x | x |
| Dimensions in mm | | | | | |
| A | Width | | 720 | 720 | 830 |
| B | Depth | | 690 | 690 | 705 |
| C | Height | | 1115 | 1115 | 1300 |
| D | | | 355 | 355 | 365 |
| E | | | 720 | 720 | 740 |
| F | | | 825 | 825 | 910 |
| G | | | 45 | 45 | 45 |
| H | | | 1030 | 1030 | 1115 |
| I | | | 220 | 220 | 220 |
| K | | | 1010 | 1010 | 1100 |
| L | | | 135 | 135 | 135 |
| M | | | 830 | 830 | 910 |
| N | | | 360 | 360 | 415 |
| O | | | 100 | 100 | 100 |
| P | | | 240 | 240 | 295 |
| 1 | Electrical connection | 6 | Liquid supply connections | | |
| 2 | Cold water | 7 | Control panel | | |
| 3 | Hot water | 8 | Soap box | | |
| 4 | Steam connection | 9 | Door opening ø310 (W465H, W475H), ø365 (W4105H) | | |
| 5 | Drain | | | | |



Front and side panels in light grey with "Blue Wave" on front panel (RAL 260 70 05, 250 60 30)

* Other voltages available, see installation manual

** Approx. value at operators position in a mid-size laundry room

Electrolux

www.electrolux.com/professional

Share more of our thinking at www.electrolux.com

Art. No. 438901901/02.07.40
We reserve the right to alter specifications without notice.