

## iQ500, Built-in oven, Width 60 cm HB535A0S0B



Shorten your cooking time thanks to fast preheat.

- ✓ ecoClean: Cut down on oven cleaning
- ✓ cookControl10: automatic programs ensure best results.
- ✓ lightControl: intuitive operation thanks to the illuminated dial.
- ✓ 3D hotAir: perfect baking results on up to 3 shelves thanks to innovative heat distribution.

### Features

#### Technical Data

Color / Material Front : Stainless steel  
 Construction type : Built-in  
 Integrated Cleaning system : Catalytic partial  
 Required niche size for installation (HxWxD) : 585-595 x 560-568 x 550  
 Dimensions : 595 x 594 x 548  
 Dimensions of the packed product (HxWxD) (mm) : 675 x 690 x 660  
 Control Panel Material : Glass  
 Door Material : Glass  
 Net weight (kg) : 34.160  
 Usable volume of cavity (l) : 71  
 Cooking method : Conventional heat, Full width grill, Hot Air, Hotair gentle, Hot air grilling  
 First cavity material : Other  
 Temperature control : mechanical  
 Number of interior lights : 1  
 Approval certificates : CE, VDE  
 Length of electrical supply cord (cm) : 120  
 EAN code : 4242003815212  
 Number of cavities (2010/30/EC) : 1  
 Energy efficiency rating : A  
 Energy consumption per cycle conventional (2010/30/EC) : 0.97  
 Energy consumption per cycle forced air convection (2010/30/EC) : 0.81  
 Energy efficiency index (2010/30/EC) : 95.3  
 Connection rating (W) : 3600  
 Current (A) : 16  
 Voltage (V) : 220-240  
 Frequency (Hz) : 60; 50  
 Plug type : no plug

### Optional accessories

HZ915003	Glass roasting dish, 5,4 L
HZ66X650	Cover Strip
HZ638300	3 level telescopic rails, full ext
HZ634000	Baking and roasting grid (standard)
HZ538000	varioClip rail
HZ531010	Baking tray, non-stick ceramic coated
HZ531000	Baking tray, grey enamelled
HZ327000	Baking stone



## iQ500, Built-in oven, Width 60 cm HB535A0S0B

### Features

#### Design

- LCD Display (white)
- lightControl: intuitive operation thanks to the illuminated dials
- Enamel grey
- Stainless steel control dial, lightControl: intuitive operation thanks to the illuminated dials, round
- Bar handle
- We recommend you to choose complementary products within iQ500, in order to assure an optimal design combination of your Built-In appliances.

#### Features

- Heating-up indicator cookControl Automatic start
- Control panel lock
- Automatic programmes
- cookControl, 10
- Electronic oven clock timer
- Integral cooling fan
- Interior halogen light
- 5 shelf positions in oven

#### Cleaning

- EcoClean Direct : back panel

#### Programmes/functions

- Oven with 5 main functions heating methods: 3D hot air, conventional top & bottom heating, hot air grilling, full width grill, Hotair gentle
- fast preheat function

#### Accessories

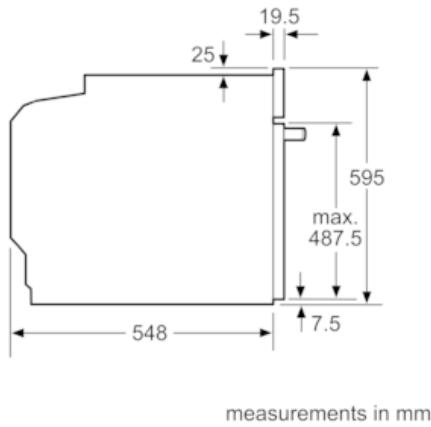
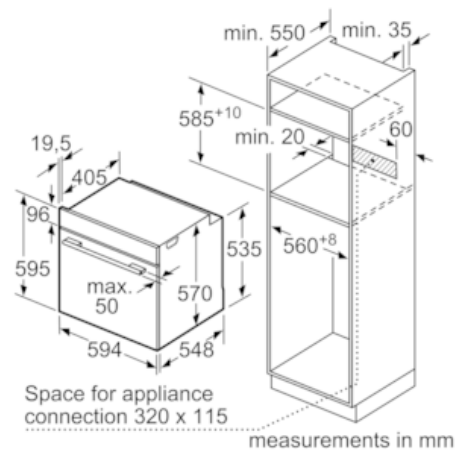
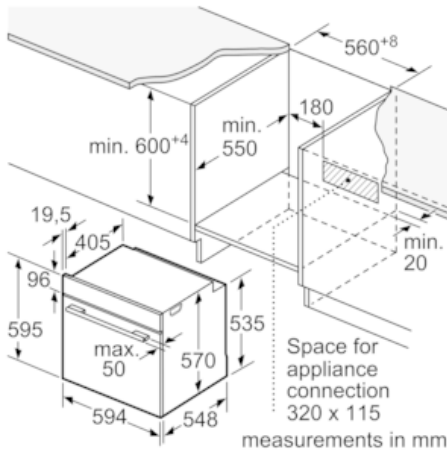
- 1 x universal pan, 2 x combination grid
- 1 varioClip rail, Stop function

#### Technical information

- Energy efficiency rating (acc. EU Nr. 65/2014): A Energy consumption per cycle in conventional mode: 0.97 kWh Energy consumption per cycle in fan-forced convection mode: 0.81 kWh Number of cavities: Main cavity Heat source: electrical Cavity volume: 71 litres
- Temperature range 50 °C - 275 °C
- Total connected load electric: 3.6 KW
- 120 cm Cable length
- Nominal voltage: 220 - 240 V
- Appliance dimension (hxwx): 595 mm x 594 mm x 548 mm
- Niche dimension (hxwx): 585 mm - 595 mm x 560 mm - 568 mm x 550 mm
- Please refer to the dimensions provided in the installation manual

iQ500, Built-in oven, Width 60 cm  
HB535A0S0B

Dimensioned drawings



Installation with a hob.

