

**iQ500, Modular Teppan Yaki, 40 cm  
ET475FYB1E**



Very fast heating and great for flash-frying, the Teppan yaki is design for traditional Japanese cooking at home.

- ✓ The 40 cm wide teppanyaki is ideal for combining with other Domino or faceted design cooktops to create a bespoke cooking area.
- ✓ The 40 cm wide teppanyaki is ideal for combining with other Domino or faceted design cooktops to create a bespoke cooking area.
- ✓ Depending on the requirements and quantities the two cooking zones can be heated together or seperately.
- ✓ Depending on the requirements and quantities the two cooking zones can be heated together or seperately.
- ✓ The touchSlider allows the hob temperature to be controlled by entering it directly or by moving the slider with a single finger.

**Features**

**Technical Data**

Product name/family : Vario/Domino Teppan Yaki  
 Construction type : Built-in  
 Energy input : Electric  
 Type of control : Electronic  
 Grill grating material : N/A  
 Required niche size for installation (HxWxD) : 90 x x  
 Width of the appliance : 392  
 Dimensions : 90 x 392 x 520  
 Dimensions of the packed product (HxWxD) (mm) : 240 x 480 x 610  
 Net weight (kg) : 10.231  
 Gross weight (kg) : 12.3  
 Residual heat indicator : Separate  
 Location of control panel : Hob front  
 Basic surface material : N/A  
 Color of surface : Alu, brushed, Stainless steel  
 Approval certificates : Australia Standards, CE, Eurasian, Ukraine, VDE  
 Length of electrical supply cord (cm) : 100  
 EAN code : 4242003689127  
 Electrical connection rating (W) : 1900  
 Current (A) : 13  
 Voltage (V) : 220-240  
 Frequency (Hz) : 50; 60

**Included accessories**

2 x spatula

**Optional accessories**

HZ394301 Connecting strip



## iQ500, Modular Teppan Yaki, 40 cm ET475FYB1E

### Features

#### Flexibility of cooking zones

- Big stainless steel roast area.
- Frying area can be heated complete or halfway.
- Cooking zone front middle: 292-344 mm, 0.95 KW

#### Usage convenience

- touchSlider: directly control the power with imprinted touch bar.
- 17 power levels: precisely adapt the heat with 17 power levels (9 main levels and 8 intermediate levels).
- Keep warm function: keep dishes warm at preset low power level.
- Acoustic signal
- : an alarm sounds at the end of the time set (e.g. for pasta).
- Count up timer
- : shows how much time has passed since starting the timer (e.g. for potatoes).
- Thermostat can be set between 160-240 °C in steps of 10° C.
- Special level for keeping warm (70°C).
- Special level for cleaning (40°C).
- Display of the heat up phase.

#### Time saving & efficiency

- reStart function: in case of unintentional switch-off, this feature restores all previous settings by switching on the hob again within 4 seconds.

#### Design

- Stainless Steel side trim with bevelled front edge
- Removable black glass lid.

#### Safety

- 2 stage residual heat indicators: indicates which cooking zones are still hot or warm.
- Control panel lock: prevent unintended activation of the hob.
- Control panel pause: wipe overboiled liquids without unintentionally changing settings (blocking all touch buttons for 30 seconds).
- Main on/off switch: switch off all cooking zones at the touch of a button.
- Power on indicator: indicates if the hob is heating.
- Automatic safety switch off: for safety reasons, heating stops after a preset time if not used (possible to customise).
- Energy Consumption Display: shows the electricity consumption of the last cooking process.

#### Installation

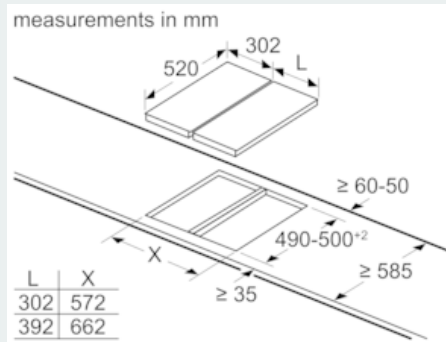
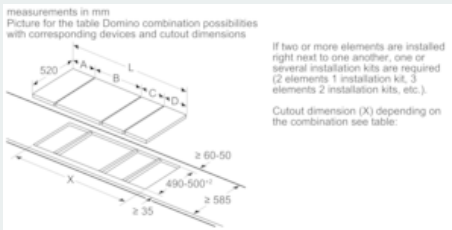
- Dimensions of the product (HxWxD mm): 90 x 392 x 520
- Required niche size for installation (HxWxD mm) : 90 x 360 x (490 - 500)
- Min. worktop thickness: 30 mm
- Connected load: 1.9 KW
- Power cord: 1 m, Cable included

#### Accessories

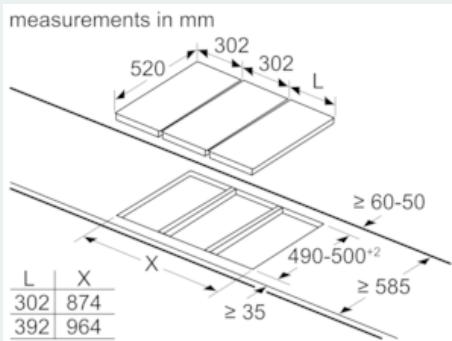
- spatula included

iQ500, Modular Teppan Yaki, 40 cm  
ET475FYB1E

Dimensioned drawings



When installing two or more Domino units side-by-side, one or more assembly kits are required (2 units = 1 assembly kit, 3 units = 2 assembly kits, etc.).



When installing two or more Domino units side-by-side, one or more assembly kits are required (2 units = 1 assembly kit, 3 units = 2 assembly kits, etc.).

measurements in mm  
Domino combination options with corresponding appliance and cut-out dimensions

Width category:	Appliance width:											
	30	40	60	70	80	90						
	302	392	602	710	812	912	A	B	C	D	L	X
2x30							302	302	-	-	604	572
1x30, 1x40							302	392	-	-	694	662
1x30, 1x60							302	602	-	-	904	872
1x30, 1x70*							302	710	-	-	1012	980
1x30, 1x80							302	812	-	-	1114	1082
1x30, 1x90							302	912	-	-	1214	1182
2x40							392	392	-	-	784	752
1x40, 1x60							392	602	-	-	994	962
1x40, 1x70*							392	710	-	-	1102	1070
1x40, 1x80							392	812	-	-	1204	1172
1x40, 1x90							392	912	-	-	1304	1272
3x30							302	302	302	-	906	874
2x30, 1x40							302	302	392	-	996	964
2x30, 1x60							302	302	602	-	1206	1174
2x30, 1x70*							302	302	710	-	1314	1282
2x30, 1x80							302	302	812	-	1416	1384
2x30, 1x90							302	302	912	-	1516	1484
1x30, 2x40							302	392	392	-	1086	1054
1x30, 1x40, 1x60							302	392	602	-	1286	1264
1x30, 1x40, 1x70*							302	392	710	-	1404	1372
1x30, 1x40, 1x80							302	392	812	-	1506	1474
1x30, 1x40, 1x90							302	392	912	-	1606	1574
3x40							392	392	392	-	1176	1144
2x40, 1x60							392	392	602	-	1386	1354
4x30							302	302	302	302	1208	1176
3x30, 1x40							302	302	302	392	1298	1266
2x30, 2x40							302	302	392	392	1388	1356
1x30, 3x40							302	392	392	392	1478	1446

