

KM 3034-1

Gas hob

with electronic functions for maximum safety and user convenience.



- Optimal – single-handed operation via rotary dials and QuickStart
- Elegant design – 806 mm wide gas on glass hob
- Particularly versatile – 5 burners incl. 1 dual wok
- Extremely safe – GasStop&Restart function
- Easy cleaning – dishwasher-safe ComfortClean pot rests

EAN: 4002516120216 / Material number: 10939800 / Old Material Number: 26303451GB

Heating type	
Heating type	Gas
Construction type	
Independent of cooker	•
Design	
Elegant glass ceramic surface	•
Ceramic surface colour	Black
Cast iron pot rests (matt black enamelled)	•
Cooking zone details	
Number of cooking zones	5
1st cooking zone/cooking area	
Position	front left
Type	High-speed burner
Max. rating in W	2700
2nd cooking zone/cooking area	
Position	rear left
Type	Economy burner
Max. rating in W	1000
3rd cooking zone/cooking area	
Position	Centred
Type	Dual wok burner
Max. rating in W	4700
4th cooking zone/cooking area	
Position	rear right
Type	Standard burner
Max. rating in W	1700
5th cooking zone/cooking area	
Position	front right
Type	Standard burner
Max. rating in W	1700
User convenience	
Display colour	Red
Operation via knobs	•
Electronic ignition with single-hand operation	•
QuickStart	•
Cleaning convenience	
Easy to clean ceramic glass	•
Dishwasher-proof pot rests	•
Safety	
Heat indicator	•
Operational indicator	•
GasStop & ReStart	•
Technical data	
Dimensions in mm (width)	806
Dimensions in mm (height)	53
Casing height incl. connection box in mm	78
Dimensions in mm (depth)	526
Cutout dimensions in mm (width) with surface-mounted installation	780

KM 3034-1

Gas hob

with electronic functions for maximum safety and user convenience.



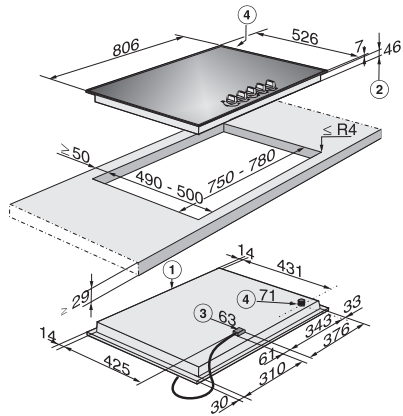
EAN: 4002516120216 / Material number: 10939800 / Old Material Number: 26303451GB

Cutout dimensions in mm (depth) with surface-mounted installation	500
Weight in kg	20
Total rated load in kW	0.00
Length of supply lead in m	1.4
Voltage in V	220-240
Frequency in Hz	50-60
Accessories supplied	
Number of mains cables with plug	No
Wok ring	•
Small trivet	•

KM 3034-1

Gas hob

with electronic functions for maximum safety and user convenience.



KM 3034-1 G (Installation drawing)

1. Front, 2. Casing depth, 3. Mains connection box with mains connection cable L = 2000 mm, 4. Gas connection R 1/2" - ISO 7-1 (DIN EN 10226)