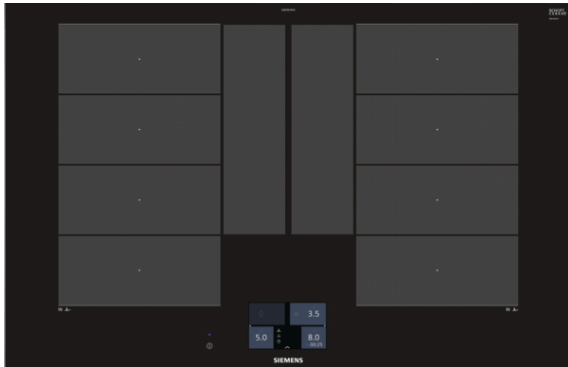


## iQ700 EX875KYW1E 80 cm Induction cooktop



The modern flexInduction cooktop - for greater flexibility when cooking.

- ✓ flexInduction Plus adapts the cooking zones to different cookware and pots up to 30 cm diameter – for more flexibility.
- ✓ powerMove Plus: enables intuitive control thanks to three heating zones with different temperatures – activated by touch.
- ✓ The new TFT-Touchdisplay makes the operation of all the cooktop's functions easier than ever.
- ✓ The convenient cookConnect system allows you to control different functions of the extractor hood directly from your cooktop. (with matching hood)
- ✓ The fryingSensor plus controls the temperature in the pan so can never burn again.
- ✓ cookingSensor Plus ready: The supplementary available sensor prevents overboiling thanks to precise temperature control.

### Features

#### Technical Data

Product name/family : Cooking zone ceramic  
 Construction type : Built-in  
 Energy input : Electric  
 Total number of positions that can be used at the same time : 4  
 Required niche size for installation (HxWxD) : 51 x 750-780 x 490-500  
 Width of the product (mm) : 812  
 Dimensions of the product (mm) : 51 x 812 x 520  
 Dimensions of the packed product (HxWxD) (mm) : 126 x 953 x 608  
 Net weight (kg) : 18.0  
 Gross weight (kg) : 20.0  
 Residual heat indicator : Separate  
 Location of control panel : Hob front  
 Color of surface : Alu, brushed, Black  
 Color of frame : Alu, brushed  
 Approval certificates : AENOR, CE  
 Length electrical supply cord (cm) : 110  
 EAN code : 4242003765296  
 Electrical connection rating (W) : 7400  
 Voltage (V) : 220-240  
 Frequency (Hz) : 50; 60



4 242003 765296

#### Included accessories

1 x adjustment strip 750 - 780 mm

#### Optional accessories

HZ390522	Griddle Plate
HZ390512	Teppan Yaki (large)
HZ390511	Teppan Yaki (small)
HZ390250	System pan diameter 28 cm
HZ390230	System pan diameter 21 cm
HZ390220	System pan diameter 19 cm
HZ390210	System pan diameter 15 cm

## iQ700

### EX875KYW1E

### 80 cm Induction cooktop

#### Features

##### Cooktop Type and Special Features

- 4 induction cooking zones
- 2 Flex zones + extended Flex zone
- flexInduction Plus
- powerBoost function for all cooking zones
- panBoost
- Cooking sensor ready (sensor sold separately)
- fryingSensor Plus with 5 temperature settings
- Meals (automatic programs)
- cookConnect system (with matching hood)

##### Design

- Black ceramic glass with stainless steel side profiles and beveled front

##### Comfort & Convenience

- FullTouch TFT Display
- LED display and timer with auto switch off, LED display and timer with auto switch off for all cooking zones, count-up timer; per cooktop
- flexMotion
- powerMove Plus
- ReStart - Quickly reinstates previous settings
- Keep warm function

##### Size & Power

- 17 power levels for each cooking zone
- Cooking zones: 1 x Ø 400 mmx230 mm, 3.3 KW (max. Power level 3.7 KW) Induction or 2 x Ø 200 mm, 2.2 KW (max. Power level 3.7 KW) Induction; 1 x Ø 400 mmx230 mm, 3.3 KW (max. Power level 3.7 KW) Induction or 2 x Ø 200 mm, 2.2 KW (max. Power level 3.7 KW) Induction
- 7.4 kW total connected load

##### Safety and Environment

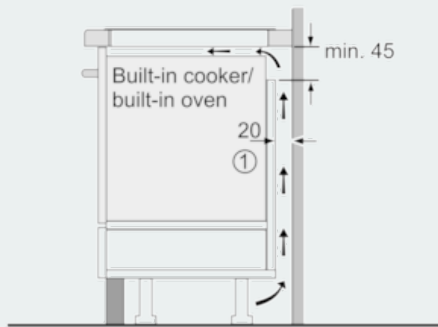
- Automatic pan recognition
- powerManagement Function
- Automatic safety switch-off
- childproof lock
- wipeProtection function
- 2-stage (h/H) digital residual heat indicator
- Energy consumption display

##### Dimensions (WxD)

- Installation measurements: 750 mm x 490 mm
- Length wire connection: 110 cm
- Min. worktop thickness: 30 mm

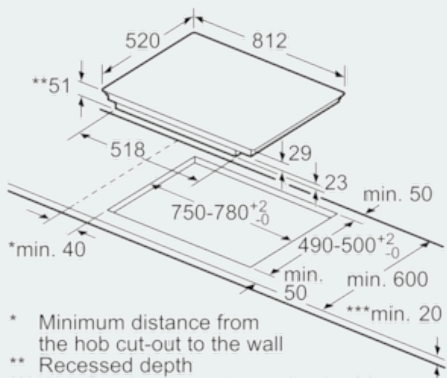
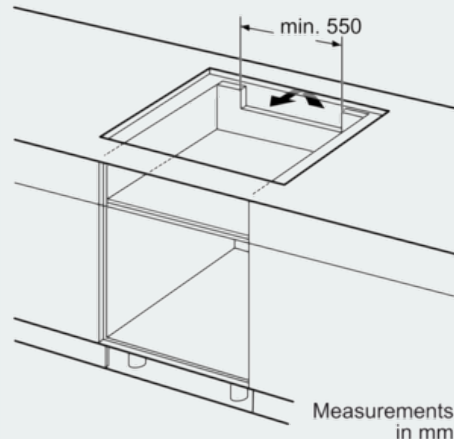
iQ700  
EX875KYW1E  
80 cm Induction cooktop

Dimensioned drawings



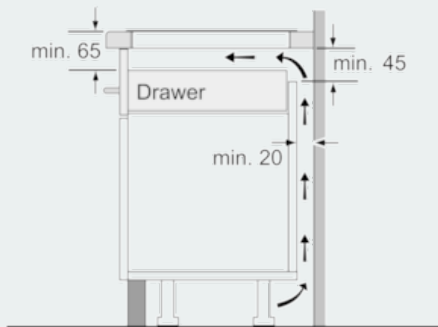
①  
Ventilation gap must  
be present

All measurements in mm



\* Minimum distance from  
the hob cut-out to the wall  
\*\* Recessed depth  
\*\*\* With fitted oven underneath min. 30,  
possibly more; see space requirements  
for the oven

measurements in mm



Measurements in mm