



### All the taste, Half the time

A succulent roast chicken, a creamy Dauphinoise, a rich beef casserole - all achieved in just half the time a conventional oven would require. The CombiQuick oven is the faster way to exceptional flavours and exciting dishes, combining hot air fan cooking with the speed of a microwave to give you the mouthwatering finish and

## Product Benefits & Features

### Microwave-grill combination. Fast Cooking with a crisp finish

Combine the power of a grill and the efficiency of a microwave, with Fast Cooking. Melt mozzarella-topped toasties, or harden a crème brûlée's sugared lid, all in the microwave. Versatile cooking, mastered.

- Compact built-in oven
- Oven with integrated microwave function
- Microwave power: 1000 Watt
- Bottom oven energy class: No
- Oven cooking functions: Au Gratin, Bottom heat, Bread baking, Conventional cooking + Microwave, Conventional/Traditional cooking, Defrost + Microwave, Dough proving, Drying, Frozen foods, Grill + Microwave, Grilling, Keep warm, Liquids + Microwave, Microwave, Pizza setting, Plate warming, Preserving, Reheat + Microwave, Slow Cooking, True fan cooking, True fan cooking + Microwave, Turbo grilling, Turbo grilling + Microwave
- Anti fingerprint stainless steel
- Oven cavity with 2 baking levels
- Fast oven heat up function
- Automatic temperature proposal
- Memory function for frequently used oven settings
- Automatic weight programs
- Electronic temperature regulation
- Time extension function
- Electronic Child Lock safety function
- Residual heat indication
- Touch Control

### Fast heat-up time, to get you cooking quickly

Superior and quick cooking results - this oven heats up fast, giving you more time to enjoy the meal with your family and friends.



### Intuitive oven cooking. With the EXCite Touch Display

The EXCite Touch Display provides access to a wide variety of oven functions to suit every dish. It also makes it easy to adjust oven temperature and timings. And gives you direct feedback, and highlights the most important information.

### Cooked Evenly everywhere

With this oven, using energy efficiently also means cooking efficiently. It has a new convection system called Hot Air, which ensures hot air circulates evenly throughout the oven cavity. The result is that the oven heats up faster and cooking temperatures can be reduced by up to 20%, saving you both time and energy

### A quicker way to toast and crisp

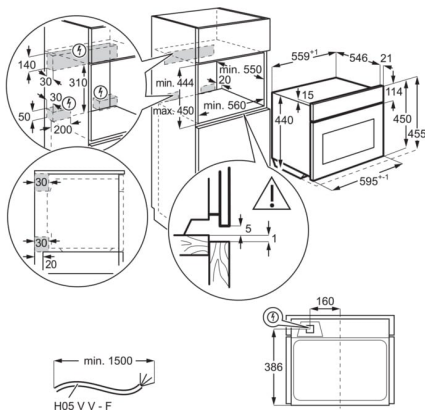
This highly efficient grill takes less time than traditional ovens, and will toast, crisp or brown your dishes to precision.

- Automatic safety switch off oven function
- Electronic oven functions overview: 100 variety of pre-set cooking programmes "Assist" (weight), 3 Favorites, 30 Languages, Acoustic signal, Automatic safety switch off only oven, Buzzer volume adjustable, Check Result/Time extension (Finish Assist by remaining 10% duration), Child lock (in off mode), Clock style in standby (2 versions), Cooking with Duration, Cooking with End Time and Duration, Demo mode with code, Direct access to MW-function, Display Brightness adjustable (ON status), Display Full colour TFT touch 95x35mm, Electronic temperature regulation, Fast heat up selectable, Key tones & alarm/error tones activation/deactivation (except On/Off), Languages/Text display, Main switch, Memory day time 3 days, Minute minder, Oven light on/off selectable (menu + direct access button), Real temperature indication (°C), Residual heat indication (°C), Residual heat usage, Service info, Set & go, Switch off time of day in off status, Temperature proposal, Time of day
- Halogen oven lighting
- Oven light automatic at door opening
- High gloss enamel oven lining, easy to clean
- ISOFRONT® PLUS cool oven door
- Fan stops when opening the door

#### Product Specification

Product Installation	Built_In	Right front - Hob control	No
Product Typology	BI_Oven_Electric	Right rear - Hob control	No
Product Classification	Exploration	Thermostat	Top
Type	Compact	Type of timer min.	PUX
Installation	BI	Electronic Oven Control	PUX_w1_CMW
Size	46x60		
Oven Energy	Electrical		
Cooking	Microwave/Multifunction		
Cleaning top oven	Clean Enamel		
Cleaning bottom oven	No		
Nº of cavities	1		
Design family	Mastery Range		
Main colour	Stainless steel with antifingerprint		
Control Panel material	Glass With Decor Trim		
Type of doors	4 Glasses, ER Graphic, Smiley cut-out big, U-Form glued and painted		
Type of handle	Metal		
Door type bottom oven	No		
Door hinges	Drop Down Screwed		
Drawer	No		
Control lamps	No		
Hob control	No		
Left front - Hob control	No		
Rear - Hob control	No		

PSGBOV180DE0000H



PSGBOV180DE0000J

