

Series 6, Washer dryer, 7/4 kg WKD28543GB



With AutoDry: reliably washes your laundry and gently dries it to exactly the degree of dryness you want.

- **7/4 kg load capacity:** wash 7 kg, dry 4 kg.
- **AutoDry:** automatically dries to your preferred level of dryness.
- **Sportswear:** ideal for washing and drying textiles like microfibre, functional fibres and synthetics.
- **Quiet Wash:** special wash programme which reduces the spin speed for a quieter environment.
- **Super Quick 15':** Quick wash cycle, washes up to 2 kg of laundry in just 15 min.

Technical Data

Energy Efficiency Class Wash/Dry cycle(Regulation):	E
Energy Efficiency Class Eco 40-60 programme (Regulation):	E
Weighted energy consumption in kWh per 100 full Wash/Dry cycle	266 kWh
Weighted energy consumption in kWh per 100 washing cycles of eco 40-60 programme:	77 kWh
Maximum capacity in kg in a Wash/Dry cycle:	4.0
Maximum capacity in kg in a wash cycle:	7.0
The water consumption of the full wash and dry cycle in liters per cycle:	68 l
The water consumption of the eco programme in liters per cycle:	44 l
Duration of the full wash and dry cycle in hours and mins at rated capacity:	5:30 h
Duration of eco 40-60 programme in hours and mins at rated capacity:	2:50 h
Spin-drying efficiency class of eco 40-60 programme:	B
Airborne acoustical noise emissions :	72 dB(A) re 1 pW
Airborne acoustical noise emission class:	A
Installation type:	Freestanding
Removable work top:	No
Door hinge:	Left
Length of electrical supply cord:	220.0 cm
Height of removable worktop:	0 mm
Dimensions of the product:	820 x 595 x 584 mm
Net weight:	82.1 kg
Drum volume:	52 l
EAN code:	4242005418374

Optional accessories

WMZ2200	Floor securing component
WMZ2380	Extension for cold water inlet /Aquastop



Series 6, Washer dryer, 7/4 kg WKD28543GB

With AutoDry: reliably washes your laundry and gently dries it to exactly the degree of dryness you want.

Performance

- Energy Efficiency Class Wash and Dry¹: E
- Energy Efficiency Class Washing²: E
- Energy³ / Water⁴ Wash and Dry: 266 kWh / 68 litres
- Energy⁵ / Water⁶ Washing: 77 kWh / 44 litres
- Load capacity Wash and Dry / Washing: 1 - 4 kg / 1 - 7 kg
- Programme duration⁷ Wash and Dry / Washing: 5:30 h:min / 2:50 h:min
- Spin drying efficiency class: EU19_spin efficiency class: B
- Spin speed^{**}: 600 - 1355 rpm
- Noise level: 72 dB (A) re 1 pW
- Noise efficiency class: A

Programmes/functions

- Special programmes: 30°C, 40°C, 60°C, cold wash option, Intensive, Prewash, Quick, Night Wash, Mixed Load, Sportswear, Super Quick 15, rinsing/spinning, fluff clean, Drain / Spin, Allergy +, Handwash/Wool, 40°C, Wool Programme, Delicates 30°C, 40°C, Cold, Delicate / Silk
- Special programme - drying: fluff removal cycle

Key features

- Buttons: Start, Spin speed reduction, Change, menu, drying time, Temperature selection and 24 hour Ready in Start time delay

Additional features

- AquaStop: Bosch home appliance with lifetime warranty against water damage*
- Large display for programme progress indication, temperature, spin speed, time remaining and 24 hours time delay, and indication of drying level
- Fully electronic control dial for all wash and special programmes
- Autodry function, Timed drying programmes
- AquaSpa wash system
- ActiveWater Plus: for highly efficient use of water even with smaller loads thanks to automatic load detection.
- Foam detection system
- Safeguard monitoring system adjusts load distribution and programme settings to protect clothes
- Buzzer to indicate the end of cycle
- Child lock
- White door with 180° opening door
- Left hinged door
- Metal door catch
- Reload facility

Technical Information

- adjustable base height: 16.5 cm
- adjustable base depth: 6.5 cm
- Dimensions (H X W X D): 82 x 59.5 x 56 cm
- Height adjustment with cardanDrive
- Fully integrated

^{1 2} Scale of Energy Efficiency Classes from A to G

³ Energy consumption in kWh per 100 complete cycles (in Eco 40-60 programme)

⁴ Water consumption in litres per complete cycle (in Eco 40-60 programme)

⁵ Energy consumption in kWh per 100 washing cycles (in Eco 40-60 programme)

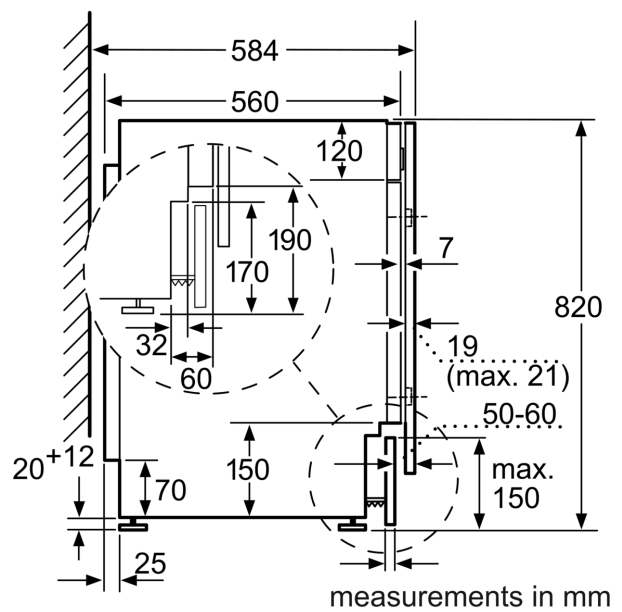
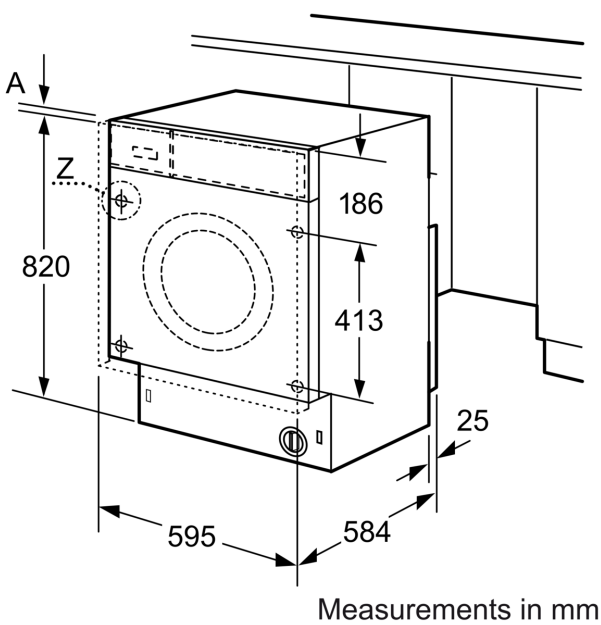
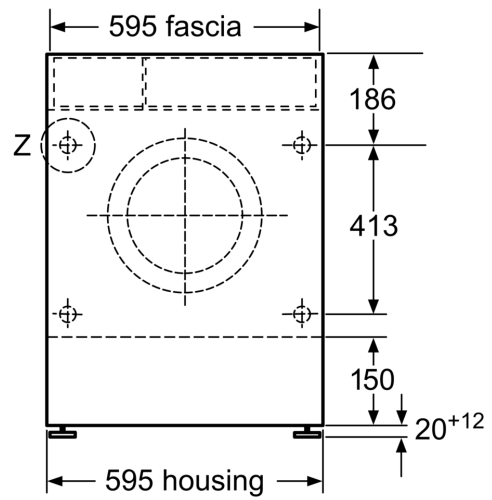
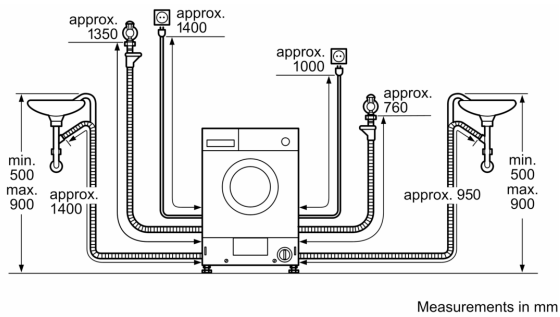
⁶ Weighted water consumption in litres per washing cycle (in Eco 40-60 programme)

⁷ Duration of Eco 40-60 programme, Wash and Dry cycle / Wash only cycle

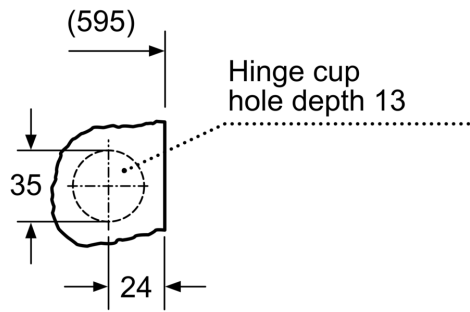
** Values are rounded.

* Please find warranty terms under the additional warranties section of our website.

**Series 6, Washer dryer, 7/4 kg
WKD28543GB**



Z detail



Measurements in mm