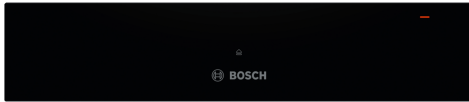


**Series 6, Built-in warming drawer, 60 x 14 cm, Black
BIC510NB0**



Included accessories

1 x Anti-slip mat

Optional accessories

HEZG9AS00S Adapter

The multifunction warming drawer for the 14 cm niche: for pre-heating plates and keeping food warm.

- **Push-pull mechanism:** easy opening and closing thanks to a clever spring mechanism.

Technical Data

Installation type:Built-in
 Maximum number of plates: 14
 Maximum number of espresso cups:64
 Dimensions: 140 x 594 x 540 mm
 Dimensions of the packed product (HxWxD): 210 x 660 x 660 mm
 Min. required niche size for installation (HxWxD): 140 x 560 x 550 mm
 EAN code:4242005035403
 Fuse protection:6 A
 Voltage: 220-240 V
 Frequency: 60; 50 Hz
 Plug type: Gardy plug w/ earthing
 Included accessories: 1 x Anti-slip mat



**Series 6, Built-in warming drawer, 60
x 14 cm, Black
BIC510NB0**

**The multifunction warming drawer for the
14 cm niche: for pre-heating plates and
keeping food warm.**

Design

- Cavity inner surface: stainless steel
- Rotary dial
- User-friendly electronics: extremely
- easy and comfortable operation
- Push-pull opening mechanism

Programmes/functions

- 4 Functions: keeping drinks and food warm, pre-warming of tableware, yeast dough proving, thawing of delicate foods
- Can accommodate up to:
 - -14plates
 - -64 espresso cups
- Loading up to 15 kg

Accessories

- 1 x Anti-slip mat

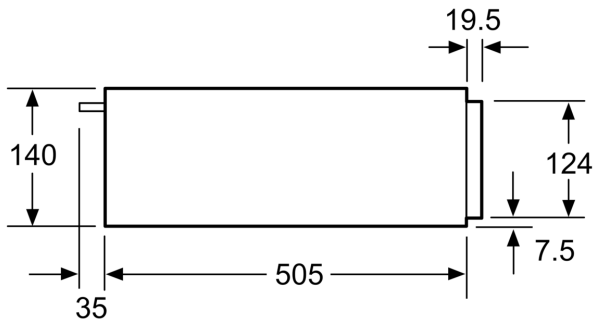
Technical information

- Cavity volume: 23 l
- Power cord length 150 cm Cable length
- Total connected load electric: 0.4 KW
- Nominal voltage: 220 - 240 V

Performance/technical information

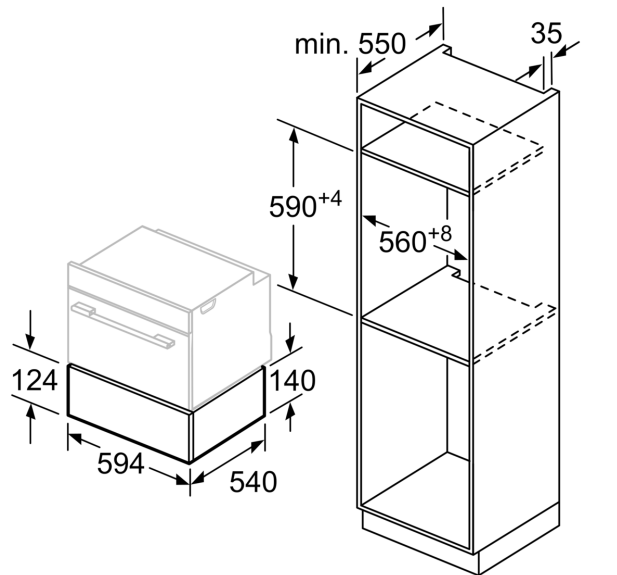
- Appliance dimension (hxwx): 140 mm x 594 mm x 540 mm
- Niche dimension (hxwx): 140 mm x 560 mm - 568 mm x 550 mm
- Please refer to the dimensions provided in the installation manual

**Series 6, Built-in warming drawer, 60
x 14 cm, Black
BIC510NB0**



Compact ovens with an appliance height of 455 mm can be installed above a warming drawer. An intermediate floor is not required.

measurements in mm



measurements in mm