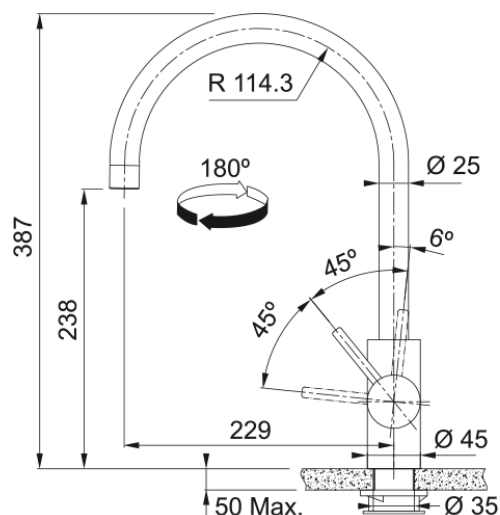


# Eos Neo Swivel Industrial Black | 115.0666.437



## Technical Data

### Product Information

Spout version	J - spout
Color	Industrial black
Type of material	Stainless steel 304

### Dimensions

Tap hole diameter	35 mm
Cartridge dimension	35 mm

### Installation

Fixation type	Shank
Water supply hose connection	1/2"
Water supply hose length	450 mm

### Product specifications

Pressure	High pressure
Version	Swivel
Tap operation	Side lever
Tap rotation	180°

### Product Identification

Product brand	FRANKE
Product family	None
Model range	Eos Neo

### Properties

Eco water saving	No
Type of aerator	Laminar