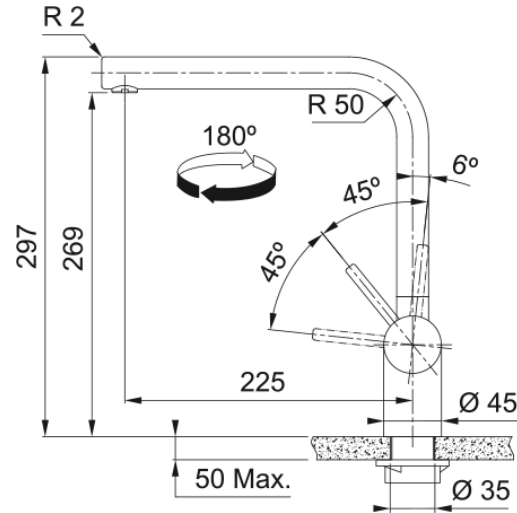


Atlas Neo Copper | 115.0638.830



Technical Data

Product Information

Spout version	L - spout
Color	Copper
Type of material	Stainless steel 304
Flexible pullout hose material	Nylon grey

Dimensions

Tap hole diameter	35 mm
Cartridge dimension	35 mm

Installation

Fixation type	Shank
Water supply hose connection	1/2"
Water supply hose length	450 mm

Product specifications

Pressure	High pressure
Version	Swivel
Tap operation	Side lever
Tap rotation	180°

Product Identification

Product brand	FRANKE
Product family	None
Model range	Atlas Neo

Properties

Eco water saving	No
Type of aerator	Laminar