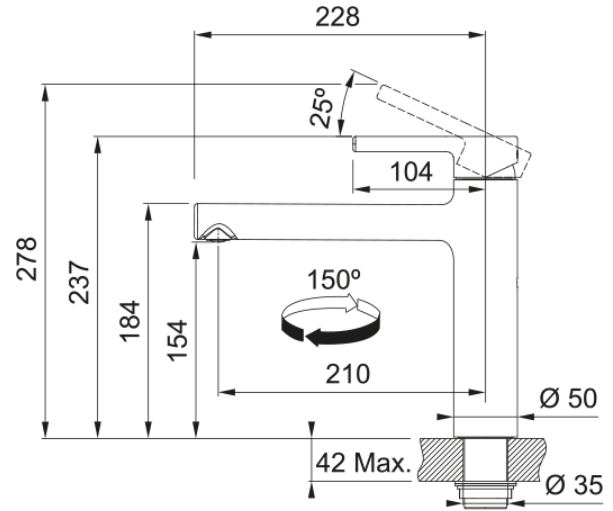


Centro Swivel Top Chrome | 115.0600.095



Technical Data

Product Information

Spout version	High spout
Color	Chrome
Type of material	Brass

Dimensions

Tap hole diameter	35 mm
Cartridge dimension	35 mm

Installation

Fixation type	Shank
Water supply hose connection	3/8"
Water supply hose length	450 mm

Product specifications

Pressure	High pressure
Version	Swivel
Tap operation	Top lever
Tap rotation	150°

Product Identification

Product brand	FRANKE
Product family	Mythos
Model range	Centro

Properties

Eco water saving	Yes
Type of aerator	Laminar