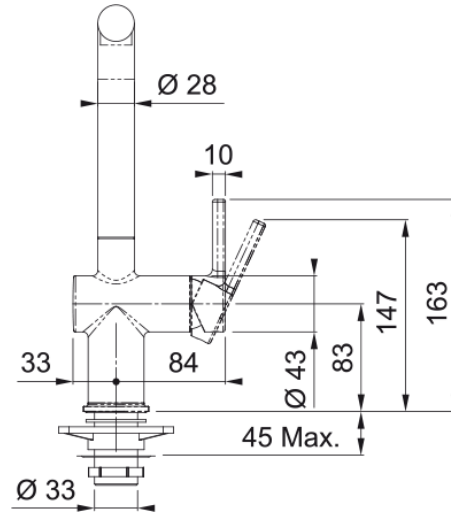


# Active L Swivel Spout Matt Black | 115.0653.371



## Technical Data

### Product Information

|                  |            |
|------------------|------------|
| Spout version    | L - spout  |
| Color            | Matt Black |
| Type of material | Brass      |

### Dimensions

|                     |       |
|---------------------|-------|
| Tap hole diameter   | 35 mm |
| Cartridge dimension | 35 mm |

### Installation

|                              |        |
|------------------------------|--------|
| Fixation type                | Shank  |
| Water supply hose connection | 3/8"   |
| Water supply hose length     | 450 mm |

### Product specifications

|               |               |
|---------------|---------------|
| Pressure      | High pressure |
| Version       | Swivel        |
| Tap operation | Side lever    |
| Tap rotation  | 180°          |

### Product Identification

|                |        |
|----------------|--------|
| Product brand  | FRANKE |
| Product family | Maris  |
| Model range    | Active |

### Properties

|                  |         |
|------------------|---------|
| Eco water saving | Yes     |
| Type of aerator  | Laminar |