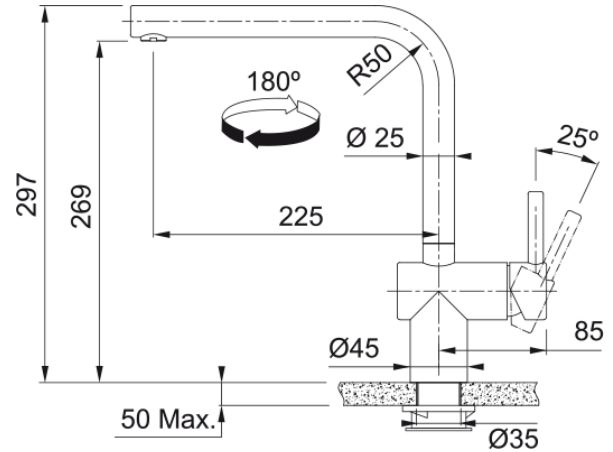


# Atlas Neo Sensor Ind Blk | 115.0669.210



## Product Information

Spout version	L - spout
Color	Industrial black
Type of material	Stainless steel 304

## Dimensions

Tap hole diameter	35 mm
Cartridge dimension	35 mm

## Installation

Fixation type	Shank
Water supply hose connection	1/2"
Water supply hose length	600 mm

## Product specifications

Pressure	High pressure
Version	Swivel
Tap operation	Side lever
Tap rotation	180°

## Product Identification

Product brand	Franke
Product family	None
Model range	Atlas Neo Sensor

## Properties

Electronic	Infrared sensor
Eco water saving	No
Type of aerator	Laminar

## Technical Data