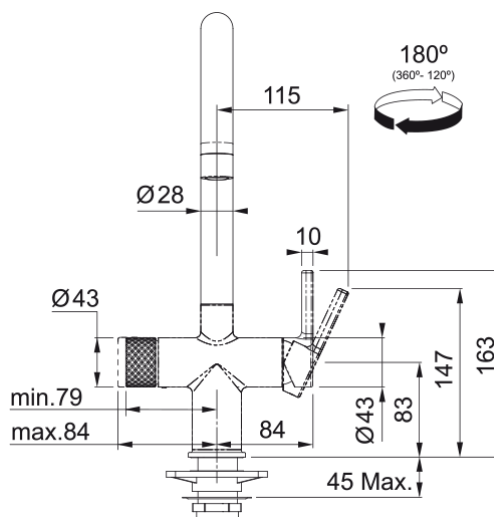


Maris Water Hub 3-in-1 Mechanical Mblack | 160.0705.400



Product Information

Spout version	J - spout
Color	Matt Black
Type of material	Brass
Flexible pullout hose material	Metal

Dimensions

Tap hole diameter	35 mm
Cartridge dimension	35 mm

Installation

Fixation type	Shank
Water supply hose connection	3/8"
Water supply hose length	500 mm

Product specifications

Pressure	High pressure
Version	Swivel
Tap operation	Side lever
Tap rotation	180°

Product Identification

Product brand	Franke
Product family	Maris

Properties

Electronic	Light and push button
Eco water saving	No
Type of aerator	High Temperature
Type of multifunctional system	Heating tank
Capacity water tank in litre	4L

Technical Data