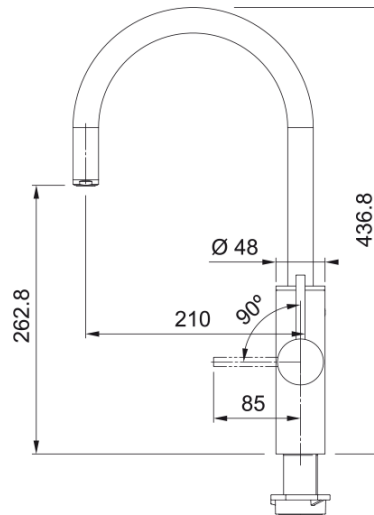


Mythos Water Hub 5in1 Electronic StSteel | 160.0709.102



Product Information

Spout version	J - spout
Color	Stainless steel
Type of material	Stainless steel 304

Dimensions

Tap hole diameter	35 mm
Cartridge dimension	35 mm

Installation

Fixation type	Shank
Water supply hose connection	3/8"
Water supply hose length	700 mm

Product specifications

Pressure	High pressure
Version	Swivel spout
Tap operation	Side lever
Tap rotation	360°

Product Identification

Product brand	FRANKE
Product family	Mythos
Model range	MYTHOS

Properties

Electronic	Push button
Eco water saving	No
Type of aerator	Honeycomb
Type of multifunctional system	Carbonizer
Type of multifunctional system	Chilling tank
Type of multifunctional system	Water filtration

Technical Data