

Serie | 4, Built-in fridge-freezer with freezer at bottom, 177.2 x 54.1 cm KIV87VSE0G



The spacious built-in fridge-freezer combination with VitaFresh XXL keeps food fresh for longer.

- Your vitamin rich fruit and vegetables stay fresh for longer in a climate controlled compartment with extra space.
- Supports optimal air circulation and guarantees a constant temperature level in the cooling area.
- **LowFrost:** defrost less often thanks to lower ice formation - saves work and is energy-efficient.
- Lots of space for large frozen goods cleverly combined with an extra inner box for smaller items.
- LED lights bring a completely new lighting concept to fridges

Technical Data

Energy Efficiency Class (Regulation (EU) 2017/1369):	E
Average annual energy consumption in kilowatt hour per year (kWh/a) (EU) 2017/1369:	216
Sum of volume of frozen compartments (EU 2017/1369):	70
Sum of volume of chill compartments (EU 2017/1369):	200
Airborne acoustical noise emissions (EU 2017/1369):	35
Airborne acoustical noise emission class (EU 2017/1369):	B
Construction type:	Built-in
Door panel options:	Not possible
Width of the appliance:	541
Depth of the product:	548
Required niche size for installation (HxWxD):	1775.0 x 560 x 550
Net weight (kg):	51.417
Fuse protection (A):	10
Door hinge:	Right reversible
Voltage (V):	220-240
Frequency (Hz):	50
Approval certificates:	CE, VDE
Length of electrical supply cord (cm):	230
Storage Period in Event of Power Failure (h):	12
Number of compressors:	1
Number of independent cooling systems:	1
Interior ventilator:	No
Reversible Door Hinge:	Yes
Number of Adjustable Shelves in fridge compartment (Stck):	4
Shelves for Bottles:	No
Frost free system:	No
Installation type:	Full-integrated
Type of hinge:	Follow-door

Included accessories

- 3 x egg tray
- 1 x ice cube tray



Serie | 4, Built-in fridge-freezer with freezer at bottom, 177.2 x 54.1 cm KIV87VSE0G

The spacious built-in fridge-freezer combination with VitaFresh XXL keeps food fresh for longer.

- KIV87VSE0G
- easy Installation

Functions

- Bright interior LED fridge light

Design features

- LED electronic control
- Super Cooling: No
- SuperFreezing function with automatic deactivation
- Acoustic alarm

Design features

- 5 safety glass shelves in fridge compartment of which 4 are height adjustable
- 4 door trays, including 1x dairy compartment
- 1 removable door storage compartments.
- 4 door bins

Freshness System

- 1 VitaFresh drawer with humidity control - Fruits and vegetables retain vitamins and stay fresh for longer

Food freshness system

- LowFrost - less ice creation and therefore quicker defrosting
- 2 transparent freezer drawers, including 1 BigBox

Dimension and installation

- Dimensions: 177.2 cm H x 54.1 cm W x 54.8 cm D
- Niche Dimensions: 177.5 cm H x 56 cm W x 55 cm D

Key features - Fridge section

- Right hinged door, door reversible
- 220 - 240 V

Key features - Freezer section

- 3 x egg tray, 1 x ice cube tray

Country Specific Options

- Based on the results of the standard 24-hour test. Actual consumption depends on usage/position of the appliance.

Design features

Dimension and installation

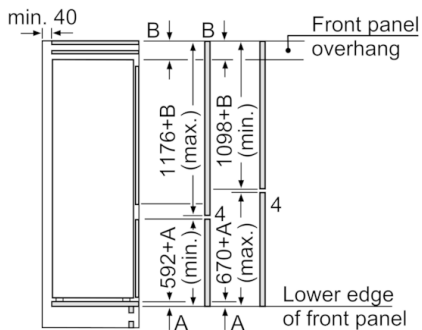
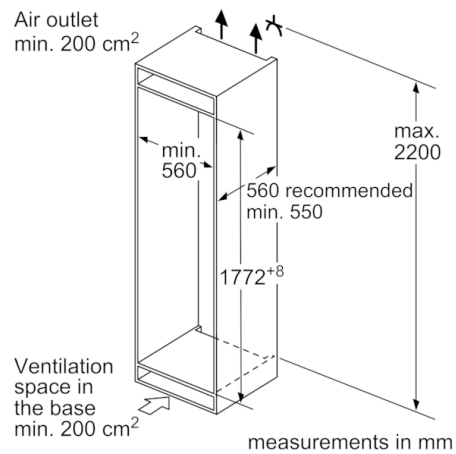
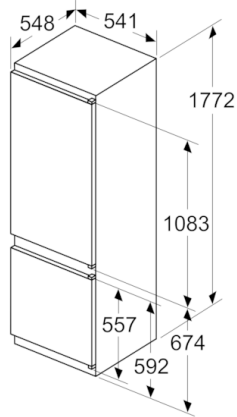
Additional features

Performance and Consumption

- EU19_EEK_D: E
- Total Volume : 270 l
- Net Fridge Volume : 200 l
- Net Freezer Volume : 70 l
- Net 4* compartment volume : 70 l
- Freezing capacity 24h : 3.2 kg
- Annual Energy Consumption: 216 kWh/a
- Climate Class: SN-ST
- Noise Level : 35 dB
- Temperature rise time : EU19_Temperature rise time_D: 12 H

**Serie | 4, Built-in fridge-freezer with freezer
at bottom, 177.2 x 54.1 cm
KIV87VSE0G**

measurements in mm



The specified unit door dimensions
are valid for a door gap of 4 mm.

measurements in mm