

**Serie | 4, Washer dryer, 7/4 kg
WKD28352GB**

B

• **7/4 kg load capacity:** wash 7 kg, dry 4 kg.

Technical Data

Construction type :	Free-standing
Removable work top :	No
Door hinge :	Left
Length of electrical supply cord (cm) :	220
Height of removable worktop (mm) :	820
Dimensions of the product (mm) :	820 x 595 x 580
Net weight (kg) :	77.148
Drum volume (l) :	52
EAN code :	4242005222285
Connection rating (W) :	2300
Current (A) :	10
Voltage (V) :	220-240
Frequency (Hz) :	50
Approval certificates :	CE, G-Mark, VDE
Energy consumption (wash and dry of full wash load) (kWh) :	5.60
Energy consumption (wash only) (kWh) :	1.33
Water consumption (wash and dry full wash load) (l) :	92


Optional accessories

WMZ2200 :

Serie | 4, Washer dryer, 7/4 kg WKD28352GB

Performance

- Label: Energy efficiency B at a range of energy efficiency classes from A to G / Washing performance A
- Capacity: 7 kg washing, 4 kg drying
- Non-stop wash and dry programme 4 kg
- Maximum spin speed :1355 rpm**
- Energy consumption wash and dry 5.6 kWh Water consumption wash and dry 92 litres
- Drum volume: 52 litres
- Noise level: washing 52 DB dB (re 1pW) Noise level: spinning 72 DB dB (re 1pW)

Programmes/functions

- Fully electronic control dial for all wash and special programmes
- Special programmes: 30°C, 40°C, rinsing/spinning, fluff clean, Drain / Spin, Handwash/Wool, Wool Programme, Delicates 30°C
- Special programme - drying: fluff removal cycle
- Timed drying programmes
- Buttons: Start, Spin speed reduction, Change, menu, drying time and 24 hour Ready in Start time delay
- Safeguard monitoring system adjusts load distribution and programme settings to protect clothes

Key features

- Reload facility
- AquaSpa wash system

Additional features

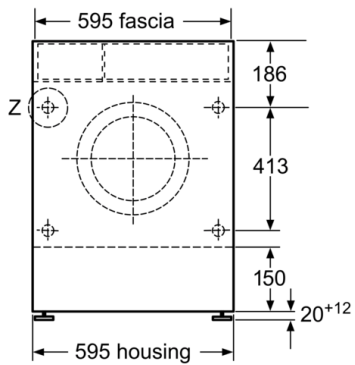
- Display for programme progress indication, time remaining and 24 hours time delay
- Automatic load adjustment system
- Multiple Water Protection
- Foam detection system
- Child lock
- Buzzer to indicate the end of cycle

Technical Information

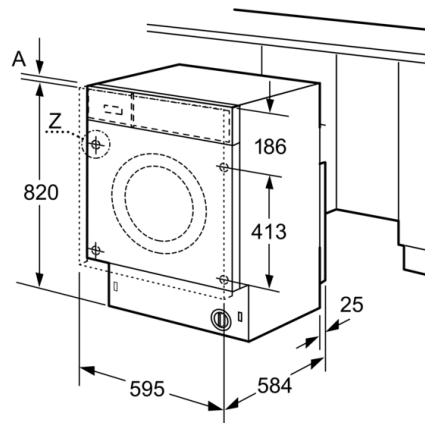
- Fully integrated
- White door with 180° opening door and 30 cm porthole opening
- Left hinged door
- Dimensions (H X W X D): 82 x 59.5 x 56 cm
- adjustable base height: 16.5 cm
- adjustable base depth: 6 cm

** Values are rounded.

**Serie | 4, Washer dryer, 7/4 kg
WKD28352GB**

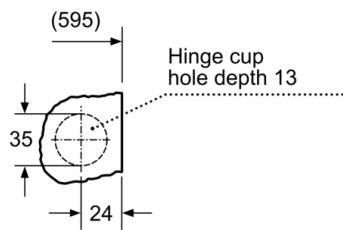


Measurements in mm

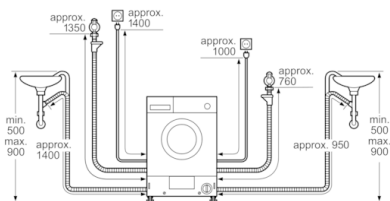
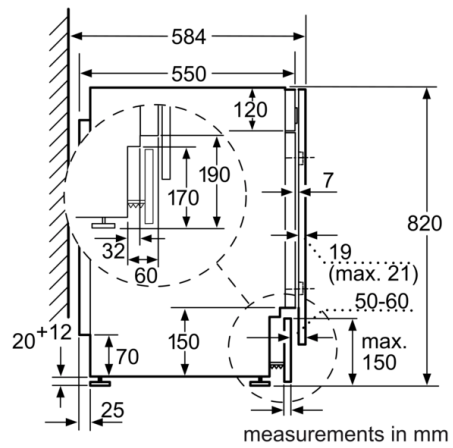


Measurements in mm

Z detail



Measurements in mm



Measurements in mm