

Serie | 4, Built-in fridge-freezer with freezer at bottom, 177.2 x 54.1 cm KIV87VFE0G



The spacious built-in fridge-freezer combination with VitaFresh XXL keeps food fresh for longer.

- Your vitamin rich fruit and vegetables stay fresh for longer in a climate controlled compartment with extra space.
- Supports optimal air circulation and guarantees a constant temperature level in the cooling area.
- **LowFrost:** defrost less often thanks to lower ice formation - saves work and is energy-efficient.
- Lots of space for large frozen goods cleverly combined with an extra inner box for smaller items.
- LED lights bring a completely new lighting concept to fridges

Technical Data

Energy Efficiency Class (Regulation (EU) 2017/1369):	E
Average annual energy consumption in kilowatt hour per year (kWh/a) (EU) 2017/1369:	216
Sum of volume of frozen compartments (EU 2017/1369):	70
Sum of volume of chill compartments (EU 2017/1369):	200
Airborne acoustical noise emissions (EU 2017/1369):	35
Airborne acoustical noise emission class (EU 2017/1369):	B
Construction type:	Built-in
Door panel options:	Not possible
Width of the appliance:	541
Depth of the product:	548
Required niche size for installation (HxWxD):	1775.0 x 560 x 550
Net weight (kg):	53.269
Current (A):	10
Door hinge:	Right reversible
Voltage (V):	220-240
Frequency (Hz):	50
Approval certificates:	CE, VDE
Length of electrical supply cord (cm):	230
Storage Period in Event of Power Failure (h):	12
Number of compressors:	1
Number of independent cooling systems:	1
Interior ventilator:	No
Reversible Door Hinge:	Yes
Number of Adjustable Shelves in fridge compartment (Stck):	4
Shelves for Bottles:	No
Frost free system:	No
Installation type:	Full-integrated
Type of hinge:	Flush-folding

Included accessories

- 3 x egg tray
- 1 x ice cube tray



Serie | 4, Built-in fridge-freezer with freezer at bottom, 177.2 x 54.1 cm KIV87VFE0G

The spacious built-in fridge-freezer combination with VitaFresh XXL keeps food fresh for longer.

- KIV87VFE0G
- easy Installation

Functions

- Bright interior LED fridge light

Design features

- LED electronic control
- Super Cooling: No
- SuperFreezing function with automatic deactivation
- Acoustic alarm

Design features

- 5 safety glass shelves in fridge compartment of which 4 are height adjustable
- 4 door trays, including 1x dairy compartment
- 1 removable door storage compartments.
- 4 door bins

Freshness System

- 1 VitaFresh drawer with humidity control - Fruits and vegetables retain vitamins and stay fresh for longer

Food freshness system

- LowFrost - less ice creation and therefore quicker defrosting
- 2 transparent freezer drawers, including 1 BigBox

Dimension and installation

- Dimensions: 177.2 cm H x 54.1 cm W x 54.8 cm D
- Niche Dimensions: 177.5 cm H x 56 cm W x 55 cm D

Key features - Fridge section

- Right hinged door, door reversible
- 220 - 240 V

Key features - Freezer section

- 3 x egg tray, 1 x ice cube tray

Country Specific Options

- Based on the results of the standard 24-hour test. Actual consumption depends on usage/position of the appliance.

Design features

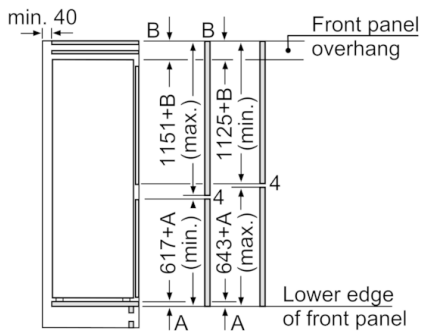
Dimension and installation

Additional features

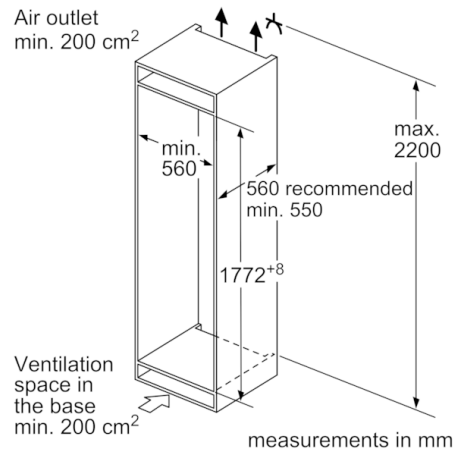
Performance and Consumption

- EU19_EEK_D: E
- Total Volume : 270 l
- Net Fridge Volume : 200 l
- Net Freezer Volume : 70 l
- Net 4* compartment volume : 70 l
- Freezing capacity 24h : 3.2 kg
- Annual Energy Consumption: 216 kWh/a
- Climate Class: SN-ST
- Noise Level : 35 dB
- Temperature rise time : EU19_Temperature rise time_D: 12 H

**Serie | 4, Built-in fridge-freezer with freezer at bottom, 177.2 x 54.1 cm
KIV87VFE0G**



The specified unit door dimensions are valid for a door gap of 4 mm.
measurements in mm



measurements in mm
Recommended gap dimensions for flat hinges

	F	R	X
16-19	0-3	2.5	
	20	0-1	3
21	2-3	2.5	
	0-1	3	
22	2-3	2.5	
	0	4	
	1	3.5	
	2-3	3	

The gap dimensions recommended in the table must be adhered to in order to ensure that appliance doors do not collide with anything when they are opened, and to avoid causing damage to kitchen units.