

# ***Shark***

## **Lift-Away with Anti Hair Wrap Plus and Anti-Odour Technology Upright Vacuum**

NZ700 Series

### **OWNER'S GUIDE**


---



# THANK YOU




for purchasing the Shark Lift-Away Anti Hair Wrap Plus with Anti-Odour Technology Upright Vacuum



 **TIP:** You can find the model and serial numbers on the QR code label located on the back of your unit.

## REGISTER YOUR PURCHASE

**TO BENEFIT FROM YOUR PRODUCT'S EXTENDED GUARANTEE, SIMPLY REGISTER YOUR PURCHASE AT:**

-  [sharkclean.co.uk/register-guarantee](https://sharkclean.co.uk/register-guarantee)
-  0800 862 0453
-  Scan QR code using mobile device

Please note, products purchased directly from Shark® are automatically registered.

Benefits of registering your product and creating an account:

- Get easier, faster product support and access to guarantee information
- Access troubleshooting and product care instructions
- Be among the first to know about exclusive product promotions

## RECORD THIS INFORMATION

Model Number: \_\_\_\_\_

Serial Number \_\_\_\_\_

Date Code: \_\_\_\_\_

Date of Purchase (Keep receipt): \_\_\_\_\_

Store of Purchase: \_\_\_\_\_

## TECHNICAL SPECIFICATIONS

Voltage: 220-240V~, 50-60Hz

Watts: 700W

## PLEASE READ CAREFULLY AND KEEP FOR FUTURE REFERENCE.

This instruction manual is designed to help you get a complete understanding of your new Shark® Lift-Away Anti Hair Wrap Plus with Anti-Odour Technology Upright Vacuum.

If you have any questions, please call the customer service line on 0800 862 0453.



# CONTENTS

<b>Important Safety Instructions</b> .....	<b>4</b>
<b>Getting to Know Your Shark® Lift-Away</b> .....	<b>6</b>
<b>Assembly</b> .....	<b>8</b>
Power Cord .....	9
<b>Anti-Odour Technology</b> .....	<b>10</b>
<b>Settings</b> .....	<b>12</b>
Brushroll Indicator Light .....	12
<b>Whole Home Cleaning</b> .....	<b>13</b>
Settings .....	13
Headlight Indicator Lights .....	13
Cleaning Modes .....	14
<b>Emptying the Dust Cup</b> .....	<b>14</b>
<b>Cleaning the Filters</b> .....	<b>15</b>
<b>Maintenance</b> .....	<b>16</b>
<b>Checking for Blockages</b> .....	<b>17</b>
<b>Available accessories</b> .....	<b>18</b>
<b>Troubleshooting Guide</b> .....	<b>19</b>
<b>Guarantee Terms and Conditions</b> .....	<b>20</b>



This marking indicates that this product should not be disposed of with other household wastes throughout the UK. To prevent possible harm to the environment or human health from uncontrolled waste disposal, recycle it responsibly to promote the sustainable reuse of material sources. To return your used device, please use the return and collection systems or contact the retailer where this product was purchased. They can take this product for environmentally safe recycling.

# IMPORTANT SAFETY INSTRUCTIONS

FOR HOUSEHOLD USE ONLY • PLEASE READ ALL INSTRUCTIONS BEFORE USING THIS VACUUM.

**IF YOU HAVE DELICATE OR WOOL CARPETS, PARTICULARLY LOOP PILE, PLEASE TRY THE VACUUM ON A HIDDEN AREA FIRST TO ENSURE THE SPINNING BRUSHROLLS DO NOT DAMAGE OR UNPICK CARPET FIBRES.**

## ⚠ WARNING

**REDUCE THE RISK OF FIRE, ELECTRIC SHOCK, INJURY, OR PROPERTY DAMAGE:**

**⚠ WARNING:** Children should be supervised to ensure that they do not play with this vacuum cleaner.

### GENERAL WARNINGS

- 1 Inspect power cord and plug for any damage before use. **DO NOT** use vacuum cleaner with a damaged cord or plug. Turn off all controls before plugging in or unplugging the vacuum cleaner. Store your vacuum cleaner with the power cord secured around the two cord hooks. To minimise the risk of power cord damage, do not allow the motorised brushroll to ingest the cord. If this occurs, immediately shut off power to the vacuum and remove the cord.
- 2 Your vacuum cleaner consists of a motorised floorhead, wand, hose, and/or vacuum pod. This device contains electrical connections, electrical wiring, and moving parts that potentially present risk to the user.
- 3 Use only identical replacement parts.
- 4 Carefully observe and follow the instructions provided below to avoid improper use of the vacuum cleaner. **DO NOT** use the vacuum for any purpose other than those described in this manual.
- 5 Before use, carefully inspect all parts for any damage. **DO NOT** use if any parts are damaged.
- 6 The use of an extension cord is **NOT** recommended.
- 7 **CAUTION:** This vacuum cleaner contains electrical connections and no serviceable parts.

### USE WARNINGS

- 8 This vacuum cleaner can be used by persons with reduced physical, sensory or mental capabilities or lack of experience and knowledge if they have been given supervision or instruction concerning use of the vacuum cleaner in a safe way and understand the hazards involved.

- 9 **Do not allow the vacuum cleaner to be used by children.** Keep the vacuum cleaner and its cord out of reach of children. Do not allow to be used as a toy. Close supervision is necessary when used near children.

### CLEANING AND USE

- 10 Always turn off the vacuum cleaner before connecting or disconnecting any motorised floorheads or other accessories.
- 11 **DO NOT** handle plug or vacuum cleaner with wet hands.
- 12 **DO NOT** use without filters in place.
- 13 Only use Shark® branded filters and accessories. Damage caused by the use of non-Shark® parts may not be covered by your guarantee.
- 14 **DO NOT** damage the power cord:
  - a) **DO NOT** pull or carry vacuum cleaner by the cord or use the cord as a handle.
  - b) **DO NOT** unplug by pulling on cord. Grasp the plug, not the cord.
  - c) **DO NOT** run the vacuum cleaner over the power cord, close a door on the cord, pull the cord around sharp corners, or leave the cord near heated surfaces.
- 15 **DO NOT** put any objects into floorhead or accessory openings. **DO NOT** use with any opening blocked; keep free of dust, lint, hair, and anything that may reduce airflow.
- 16 **DO NOT** use if floorhead or accessory airflow is restricted. If the air paths or the motorised floor floorhead become blocked, turn the vacuum cleaner off and unplug from electrical socket. Remove all obstructions before you plug in and turn on the unit again.
- 17 Keep floorhead and all vacuum openings away from hair, face, fingers, uncovered feet, or loose clothing.
- 18 **DO NOT** use if vacuum cleaner is not working as it should, or has been dropped, damaged, left outdoors, or dropped into water.

# SAVE THESE INSTRUCTIONS

READ ALL INSTRUCTIONS BEFORE USE

- 19 If the supply cord is damaged, it must be replaced by the manufacturer, its service agent or similar qualified persons in order to avoid a hazard.
- 20 Use extra care when cleaning on stairs.
- 21 **DO NOT** leave the vacuum cleaner unattended while plugged in.
- 22 When powered on, keep the vacuum cleaner in motion over the carpet surface at all times to avoid damaging the carpet fibres.
- 23 **DO NOT** place vacuum cleaner on unstable surfaces such as chairs or tables.
- 24 **DO NOT** use to pick up:
  - a) Liquids
  - b) Large objects
  - c) Hard or sharp objects (glass, nails, screws, or coins)
  - d) Large quantities of dust (drywall dust, fireplace ash, or embers). **DO NOT** use as an attachment to power tools for dust collection.
  - e) Smoking or burning objects (hot coals, cigarette butts, or matches)
  - f) Flammable or combustible materials (lighter fluid, petrol, or kerosene)
  - g) Toxic materials (chlorine bleach, ammonia, or drain cleaner)
- 25 **DO NOT** use in the following areas:
  - a) Poorly lit areas
  - b) Wet or damp surfaces
  - c) Outdoor areas
  - d) Spaces that are enclosed and may contain explosive or toxic fumes or vapours (lighter fluid, petrol, kerosene, paint, paint thinners, mothproofing substances, or flammable dust)
- 26 Turn off all controls before plugging in or unplugging the vacuum.
- 27 Unplug from electrical socket when not in use and before any maintenance or cleaning.
- 28 To clean: wipe down the unit with water only. Washing with cleaning chemicals could damage the unit.
- 29 During cleaning or routine maintenance, **DO NOT** cut anything other than hair, fibres, or string wrapped around the brushroll.
- 30 Allow all filters to air-dry completely before replacing in the vacuum to prevent liquid from being drawn into electrical parts.

- 31 Make sure the dust cup and all filters are in place after routine maintenance.
- 32 Secure the power cord around the two cord hooks during storage.
- 33 Observe the following when interacting with the Anti-Odour Technology cartridge:
  - a) **DO NOT** attempt to disassemble Anti-Odour Technology cartridge.
  - b) Avoid direct contact with the fragrance pod in the cartridge.
  - c) **DO NOT** directly inhale from the Anti-Odour Technology cartridge.
  - d) Keep away from children and pets.
  - e) Keep away from heat, sparks and open fires.
  - f) **DO NOT** place in direct sunlight.

### FRAGRANCE CARTRIDGE FIRST AID

- a) Avoid contact with fabrics and finished surfaces.
- b) Eye contact: Remove contact lenses if present. Rinse continuously with water for several minutes.
- c) Skin contact: Wash hands thoroughly after handling. If irritation or rash develops, seek medical advice/attention.
- d) Inhalation: Move person to fresh air if they are experiencing any respiratory symptoms. If symptoms persist, seek medical advice/attention.
- e) Ingestion: **DO NOT** induce vomiting. Seek medical advice/attention

### ANTI-ODOUR TECHNOLOGY WARNING



May cause an allergic reaction to skin if in direct contact with contents of cartridge. Wear protective gloves if directly coming into the contact with the cartridge material, wash skin thoroughly after handling. Harmful if swallowed. Avoid breathing in mist or vapours, intentional misuse and directly inhaling contents may be dangerous. Avoid release to the environment. Very toxic to aquatic life with long lasting effects, ensure cartridge is disposed of correctly as general waste.

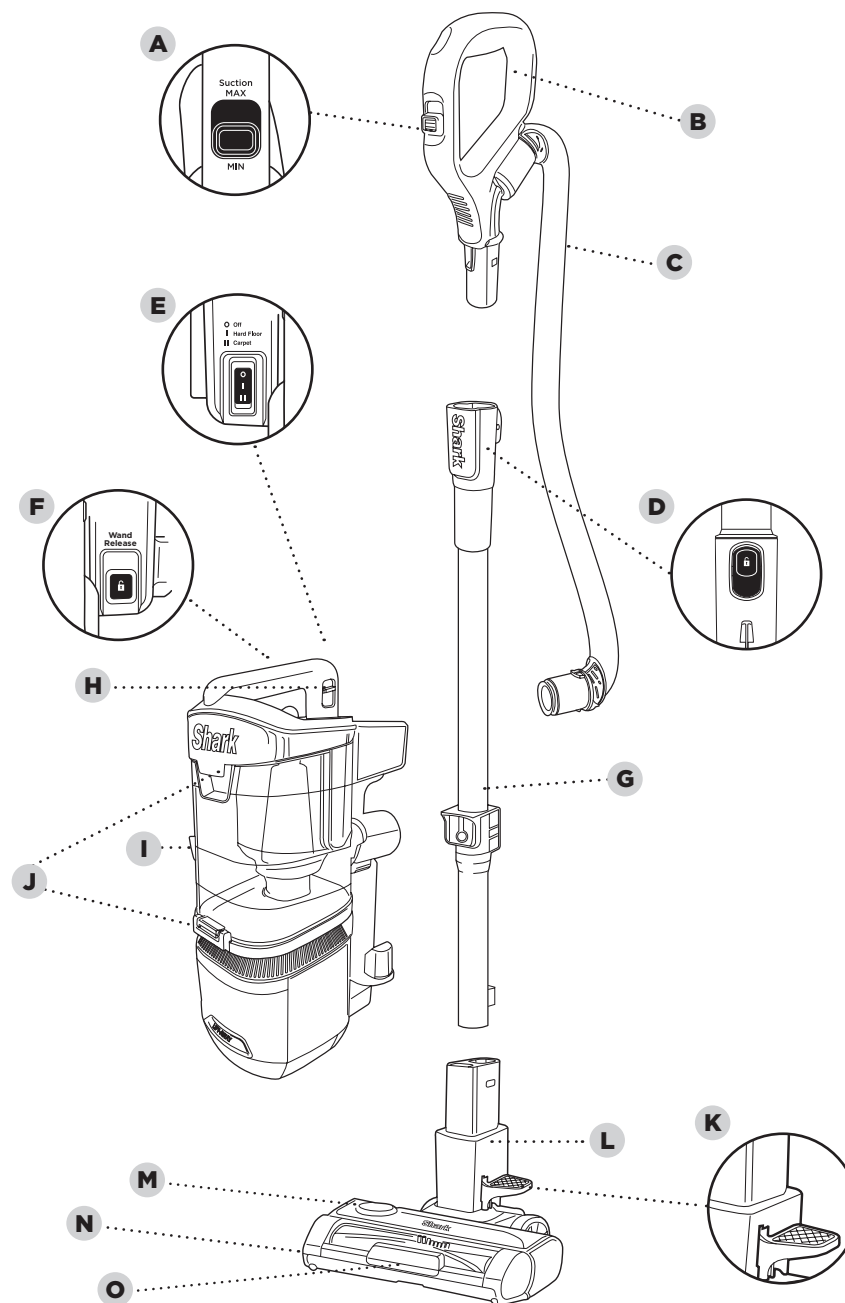
**GETTING TO KNOW YOUR SHARK CORDED UPRIGHT VACUUM WITH LIFT-AWAY TECHNOLOGY AND ANTI HAIR WRAP PLUS BRUSHROLL.**

**WELCOME!**

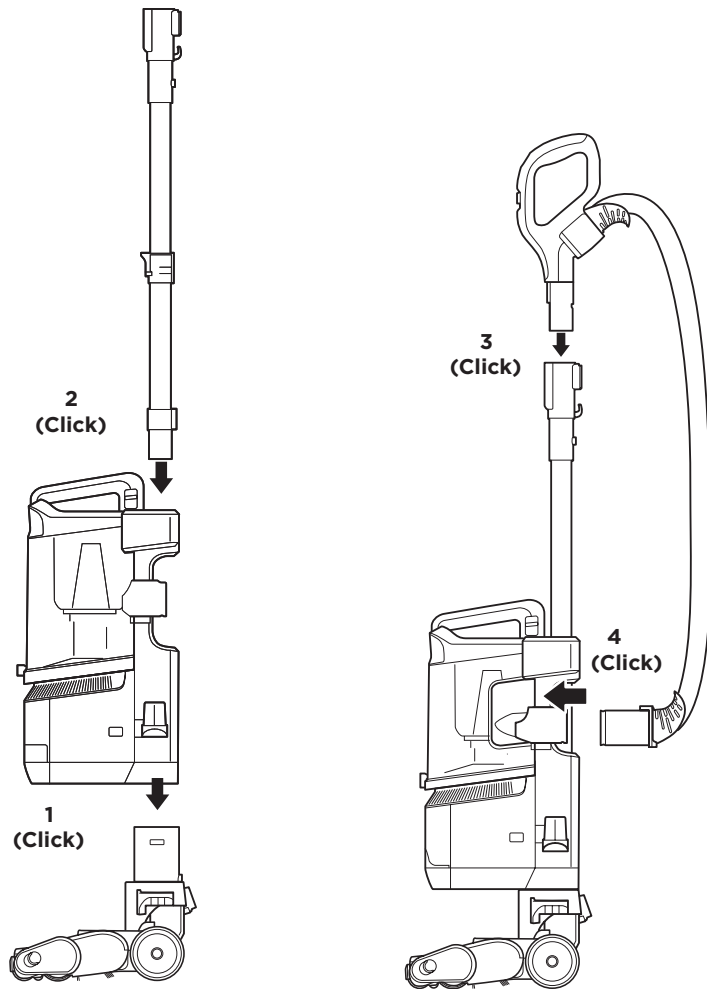
Congratulations on your purchase. Use this instruction manual to learn about your new vacuum's great features. From assembly to use to maintenance, you will find it all in here.

**MAIN UNIT**

- A** Suction Control Slider
- B** Handle
- C** Hose
- D** Handle Release Button
- E** Power Switch
- F** Wand Release Button
- G** Wand
- H** Dust-Cup Release Latch
- I** Lift-Away Pod
- J** Dust-Cup Empty Buttons
- K** Lift-Away Pod Button
- L** Motorised Floor Nozzle
- M** Anti-Hair Wrap Plus Brushroll
- N** Headlights
- O** Brushroll Indicator Light



## ASSEMBLY

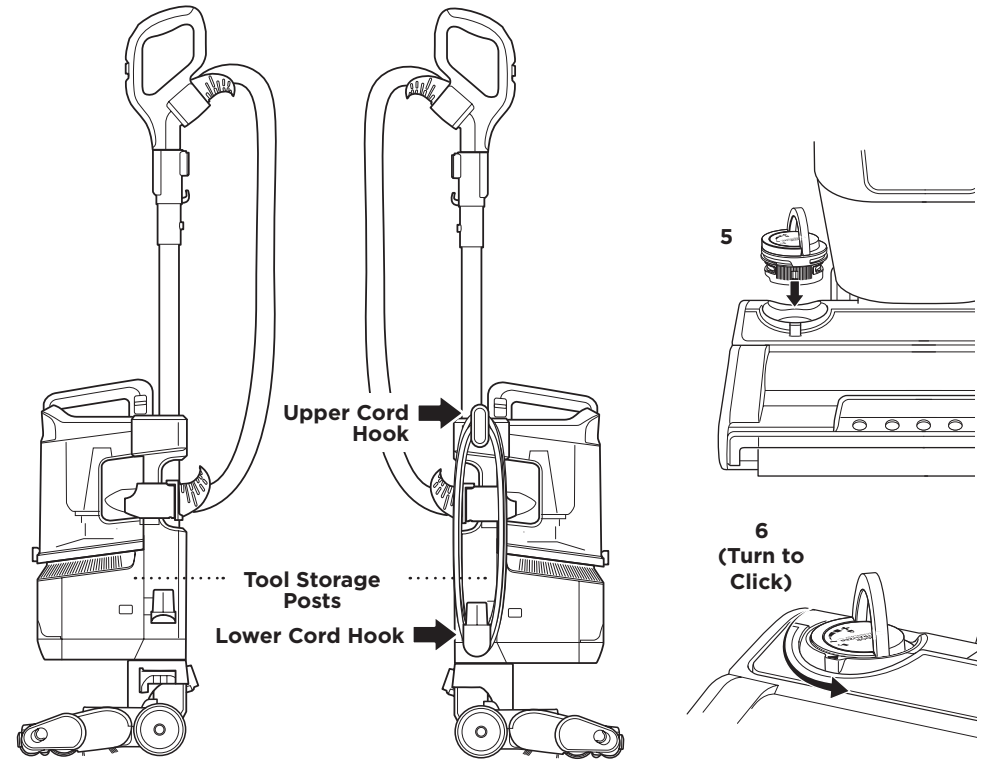


1. Place **Pod** down onto **Nozzle**.
2. Insert **Wand** into **Pod**.
3. Insert **Handle** into wand.
4. Attach **Hose** to back of pod.
5. Remove **Anti-Odour Technology Dial** from bag. Flip up the dial handle, align the teal arrows, then insert the dial into the nozzle.
6. To lock and engage the dial, rotate it counterclockwise until it clicks into the desired Odour intensity setting.

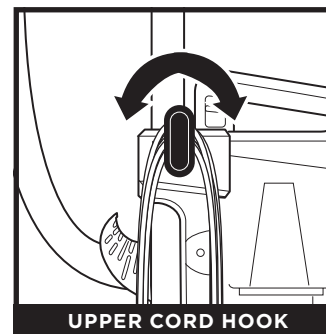
\* More detailed Anti-Odour Technology assembly instructions and visuals on the following two pages.

**IMPORTANT:** For proper operation, ensure all connections are securely clicked into place.

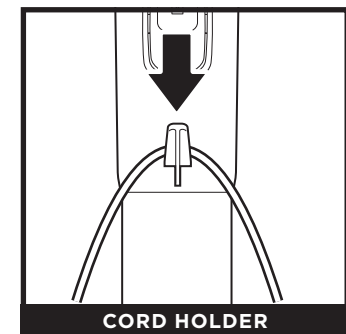
## ASSEMBLY



## POWER CORD



**UPPER CORD HOOK**  
For cord access, rotate upper hook down and remove cord.



**CORD HOLDER**  
Use cord holder on the side of wand to hold cord in place while vacuuming.

SETTINGS



ODOUR DIAL

Flip up the dial handle and rotate the Odour dial to adjust Anti-Odour Technology intensity or to unlock the dial for cartridge access.

**Insertion/Removal:** Rotate the Odour dial to align the teal arrows. Remove the dial to access the Odour cartridge for removal or replacement.

**Low:** Rotate the dial toward the Low position to decrease the intensity to the lowest level when the vacuum is in use.

**High:** Rotate the dial toward the High position for the highest intensity level when the vacuum is in use. This position is the recommended setting for optimal performance.

ANTI-ODOUR TECHNOLOGY TIPS

**Odour Dial Must be Installed for Vacuum to Function Properly**

- Remove Odour cartridge from dial if you don't want the benefits of the Anti-Odour Technology.

**Maintenance Required**

- Clean all filters as recommended under Cleaning Filters.
- Empty the dust cup before storing your vacuum.
- Replace the cartridge as recommended under Odour Cartridge Replacement.
- If wet pet messes are cleaned up, thoroughly clean the vacuum.

**Fragrance Strength Over Time**

- The intensity of the Anti-Odour Technology's fragrance may diminish over time. It may also have no noticeable fragrance at all. This is natural and does not indicate the technology isn't working. Follow replacement instructions to ensure continued performance.

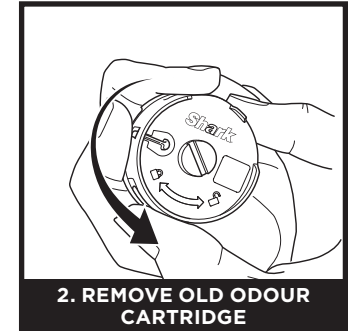
**NOTES:** • The Odour dial needs to be installed for the vacuum to function properly, with or without the Odour cartridge.  
• Anti-Odour Technology effectively deOdourizes while interacting with Odours from inanimate sources.

ODOUR CARTRIDGE REPLACEMENT



1. REMOVE ODOUR DIAL FROM NOZZLE

Flip up the handle and rotate the dial clockwise until the two teal arrows are aligned. Pull the handle to remove the dial from the nozzle.



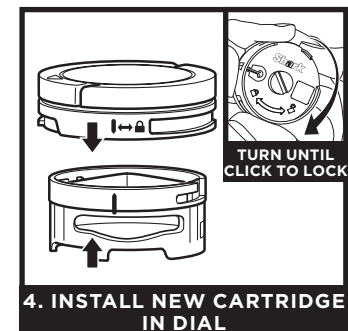
2. REMOVE OLD ODOUR CARTRIDGE

Rotate the cartridge counterclockwise in the dial housing and pull out the cartridge to remove it.



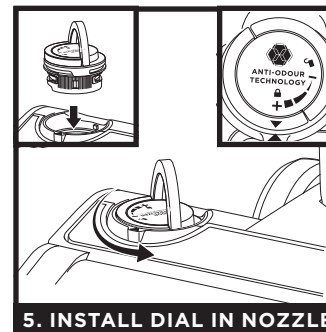
3. REMOVE NEW CARTRIDGE FROM CAN

Remove the new Odour cartridge from the sealed packaging. To maintain the life of the cartridge, keep it in the sealed packaging until you are ready to install it.



4. INSTALL NEW CARTRIDGE IN DIAL

Align the yellow arrow on the side of the cartridge with the yellow arrow on the side of the dial cover, then insert the cartridge into the dial. Rotate the cartridge clockwise to lock it in place.



5. INSTALL DIAL IN NOZZLE

Align the teal arrow on the dial cover with the teal arrow on the nozzle, then reinsert the dial into the nozzle. Rotate the dial counterclockwise until it clicks into an intensity setting to engage. Rotate further to change the intensity setting.

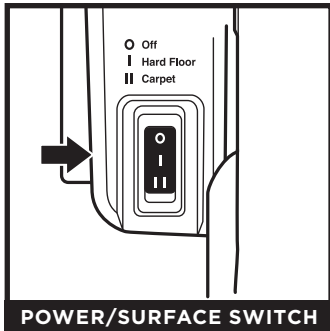


6. USED CARTRIDGE DISPOSAL

Dispose of the old cartridge by dropping it into the trash.

**NOTE:** Odour cartridges should be replaced every 6 months for optimal Anti-Odour Technology performance.

SETTINGS

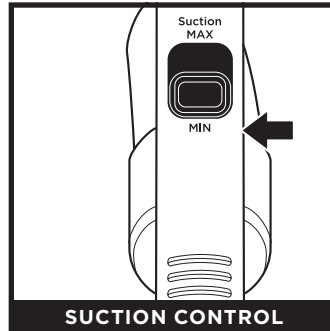


POWER/SURFACE SWITCH

Select surface setting:

- Power Off**
- I Hard Floor**  
For hard floors and small area rugs.
- II Carpet**  
For carpets.

**NOTE:** For deep carpet cleaning per ASTM F608, use setting II (Carpet) with MAX suction.



SUCTION CONTROL

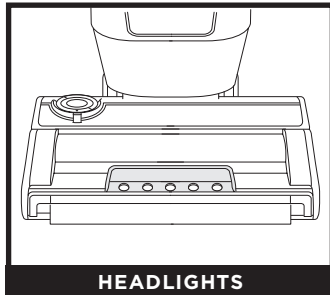
The **Suction Control Slider** located on the handle allows you to adjust the suction depending on the floor type.

**MIN:** to reduce suction and increase maneuverability on carpets.

**MAX:** to increase suction on hard floors.

**NOTE:** The brushrolls spin in all modes.

HEADLIGHT INDICATOR LIGHTS



HEADLIGHTS

The headlights will flash or turn red to indicate issues that need attention.

**Solid White Lights:** The brushrolls are spinning and the unit is working as it should.

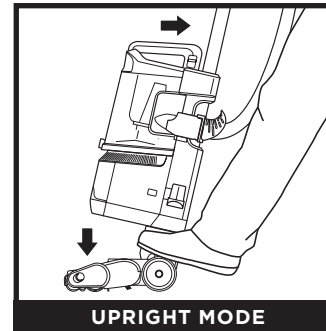
**Solid Red Lights:** There is a jam in the brushroll area. Turn off the vacuum and unplug it, then remove any blockages in the nozzle.

**Flashing Red Lights:** The motorized floor nozzle is overheating. Turn off the vacuum, unplug it, and remove any blockages. Let the vacuum cool down for at least 60 minutes before restarting. See Troubleshooting section for more information.

**Flashing White Lights:** The vacuum is operating in an environment that is either too hot or too cold. This vacuum will only function properly in temperatures ranging from 32°F (0°C) to 104°F (40°C). Turn the vacuum off and adjust the room temperature.

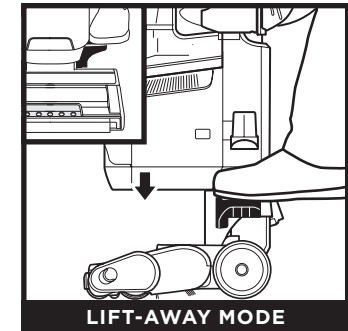
**NOTE:** For deep cleaning per ASTM F608 (embedded dirt in carpets), please set to **Carpet** mode.  
**NOTE:** For maximum suction for above-floor cleaning per ASTM F558, set to **Hard Floor** mode.

CLEANING MODES



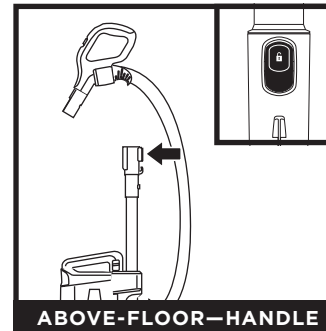
UPRIGHT MODE

To engage **Brushrolls**, select a surface setting, step on floor nozzle and tilt handle back firmly.



LIFT-AWAY MODE

Step on the pedal on the floor nozzle to lift off the pod.



ABOVE-FLOOR—HANDLE

Press the **Handle Release** button and pull up on the handle to detach it from the wand.



ABOVE-FLOOR—WAND

Press the **Wand Release** button and pull up on the wand to detach it from the pod.



ACCESSORIES—HANDLE

Attach an optional cleaning accessory to handle or wand.



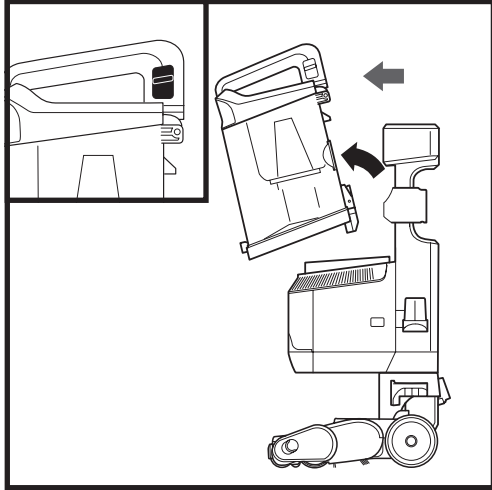
ACCESSORIES—WAND

**NOTE:** All accessories are compatible with both the wand and the handle. Included accessories will vary by model.

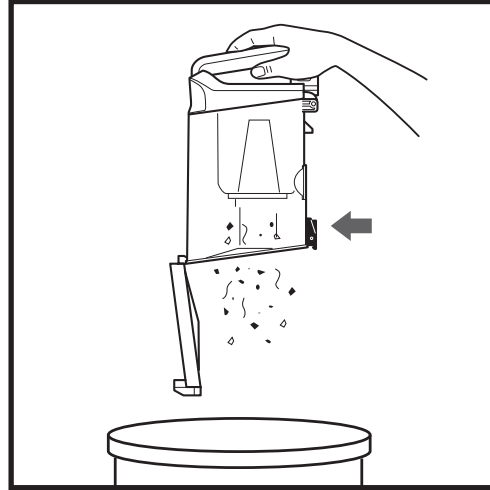
## EMPTYING THE DUST CUP

**IMPORTANT:** Unplug the power cord before performing any maintenance.

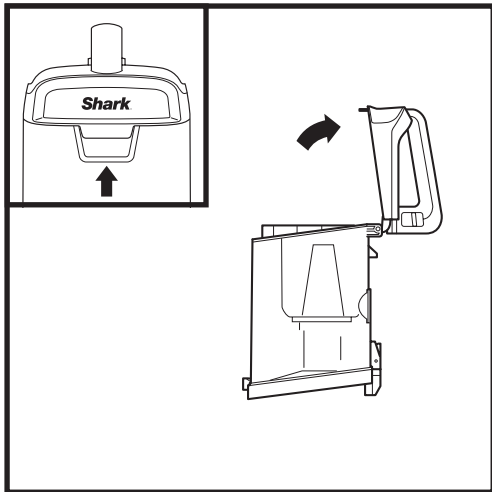
Empty the dust cup each time you vacuum and periodically during cleaning, when debris in the dust cup reaches the MAX fill line.



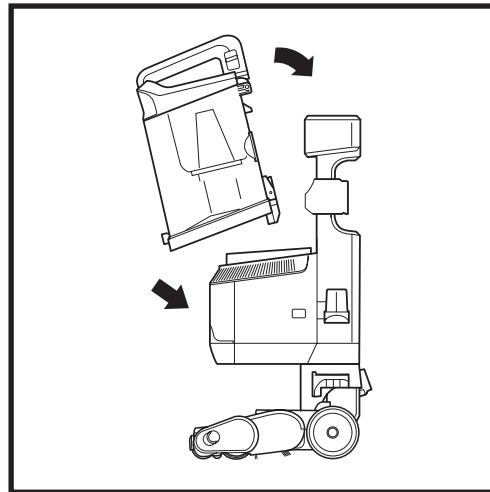
To remove the **Dust Cup**, slide up on the release button located on the side of dust cup handle. Tilt dust cup forward, then lift to remove.



To empty debris into the trash, press the lower release button and the bottom of the dust cup will drop open.



Clear debris from the **Lint Screen** in the dust cup. Lift the upper release tab at the top of the dust cup and open the lid. Gently brush the lint screen to remove debris.



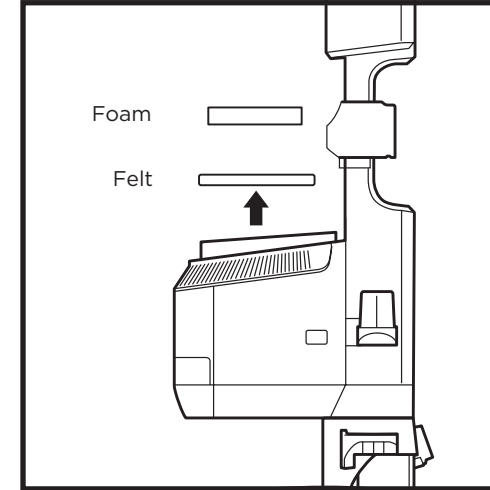
To reinstall, place the bottom of the dust cup onto the pod and then tilt until it clicks into place.

## CLEANING THE FILTERS

**Regularly rinse and replace the filters to maintain your vacuum's suction power and to maximize the effectiveness of the Anti-Odour Technology.**

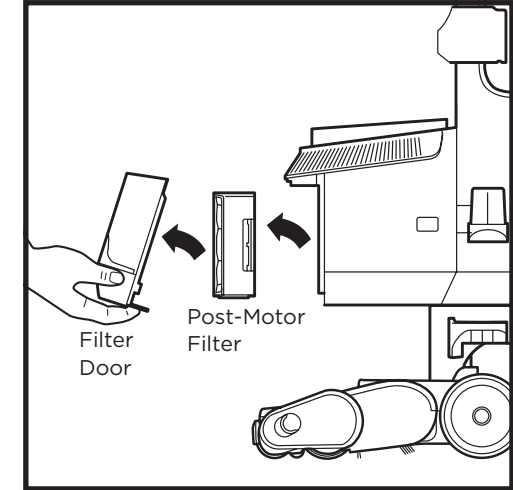
Rinse filters with cold water only. Allow all filters to air-dry for at least 24 hours before reinstalling them to prevent liquid from being drawn into electronic parts.

**IMPORTANT: DO NOT** use soap when cleaning the filters.



**RINSE PRE-MOTOR FILTERS EVERY MONTH**

Remove the **Dust Cup**, then lift out **Filters**.



**RINSE POST MOTOR FILTER EVERY YEAR**

To remove the **Post Motor Filter**, first pull the tab on the bottom of the filter door, then lift off the door. Press the tab on the side of the Post Motor filter and pull out the filter. To reinstall the door, align the top first, then press in the bottom until it clicks into place.



## MAINTENANCE

### NOZZLE MAINTENANCE

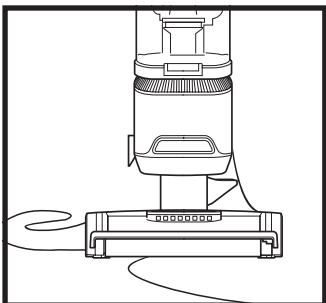
#### ANTI HAIR WRAP PLUS

If any hair is wrapped around the brushroll, continue vacuuming, using Carpet/Low Pile mode on a bare floor surface, a low-pile carpet, or a small area rug. This will allow the self-cleaning brushroll to remove the hair wrap and send it to the dust cup.

If you run over a hard or sharp object or notice a noise change while vacuuming, check for blockages or objects caught in the brushroll.

If some fibers remain wrapped around the brushroll after continued use, carefully remove them.

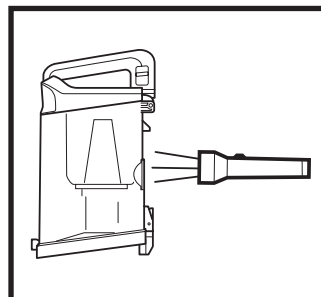
### CORD MAINTENANCE



To minimize the risk of power cord damage, **DO NOT** run the vacuum over the power cord. If this occurs, immediately shut off power to the vacuum and remove the cord from the brushrolls or nozzle.

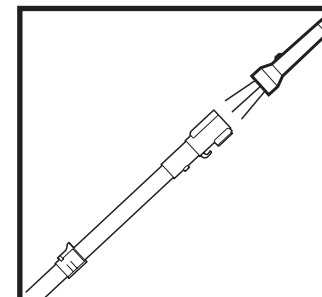
1. **DO NOT** pull or carry vacuum cleaner by the cord or use cord as a handle.
2. **DO NOT** unplug by pulling on the cord. Grasp the plug, not the cord.
3. **DO NOT** close the door on the cord.
4. **DO NOT** pull the cord around sharp corners.
5. **DO NOT** leave the cord near heated surfaces.

## CHECKING FOR BLOCKAGES



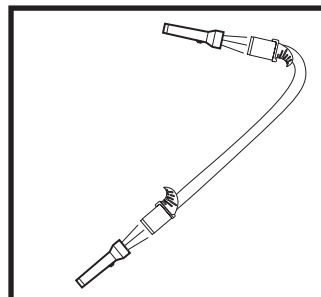
**DUST CUP BLOCKAGES**

Detach dust cup from vacuum pod. Empty dust cup and remove debris from lint screen in the top of the dust cup.



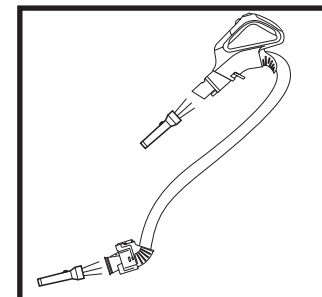
**WAND BLOCKAGES**

Detach wand from pod and handle, and check both ends for blockages.



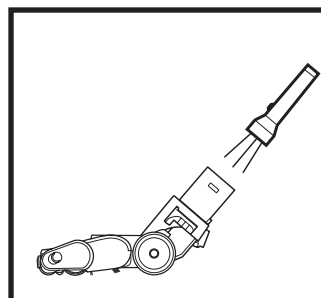
**HOSE BLOCKAGES**

Detach hose from handle by pressing on the release button at the top of the hose. Detach the hose from the pod, and check openings for blockages.



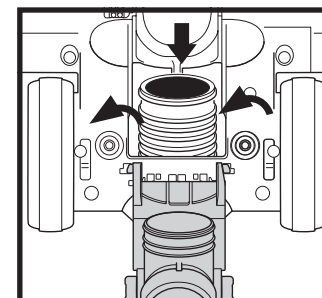
**HANDLE/HOSE BLOCKAGE**

Detach handle from wand and hose from the vacuum pod, and check openings for blockages.



**NOZZLE BLOCKAGE**

Detach wand from floor nozzle, tilt nozzle neck back, and check opening for blockages.



**NOZZLE HOSE BLOCKAGE**

To access the nozzle hose, pinch the release touchpoints on the bottom of the nozzle, then lift the cover and clear any blockages.

## AVAILABLE ACCESSORIES

### A Crevice Tool

This slender tool offers extended reach to access corners, baseboards, tight spaces, and ceilings.

### B Upholstery Tool

Picks up hair, dust, and large debris from mattresses, couches, curtains, lampshades, and other delicate upholstered fabrics.

### C Multi-Surface Tool

A single convertible tool for cleaning tough pet messes two ways: use the stiff bristle brush to clean stuck-on debris, or take off the bristles to reveal an upholstery tool perfect for removing stubborn pet hair and large piles of debris.

### D Duster Crevice Tool

Two cleaning tools in one. The crevice tool gives you extended reach to clean in tight spaces, while the soft brush is ideal for dusting delicate surfaces.

### E Pet Power Brush

The turbine brush loosens and removes pet hair and debris from carpets, and powerfully deep-cleans dander out of upholstery and other surfaces.

### F Under-Appliance Wand

Clean under and behind hard-to-move appliances and furniture with this adjustable 36" tool. Flip the extension piece over to clean the underside of appliances.

### G Anti-Allergen Dust Brush

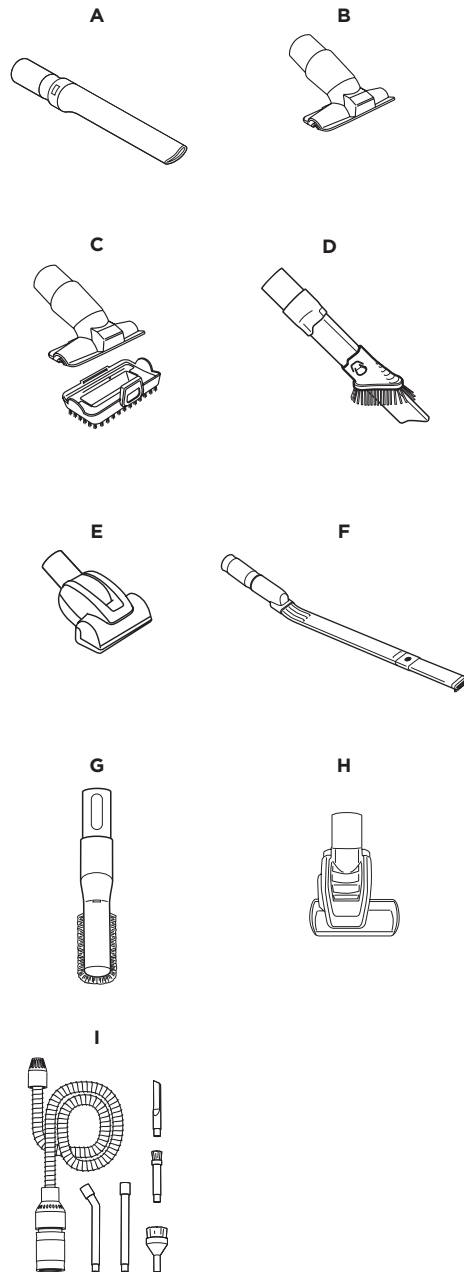
This brush features nylon fiber bristles specifically designed for removing fine dust and allergen particles from the most delicate surfaces.

### H Pet Power Brush with Anti Hair Wrap Plus

Tackles pet hair and ground-in dirt from above-floor areas like carpeted stairs and upholstery, while actively removing hair wrap as it cleans.

### I Home & Car Detail Kit

Deep-clean your car like a professional detailer, or clean hard-to-reach areas in your home. Micro-sized tools let you clean around delicate objects and access the tightest spaces like car vents and computer keyboards.



## TROUBLESHOOTING

### Power cord caught in brushrolls or floor nozzle.

- To minimize the risk of power cord damage, DO NOT run the vacuum over the power cord. If this occurs, immediately shut off power to the vacuum and remove the cord from the brushrolls or nozzle.
- Inspect power cord and plug for any damage before use. DO NOT use vacuum cleaner with a damaged cord or plug. Turn off all controls before plugging in or unplugging the vacuum cleaner. Store your vacuum cleaner with the power cord secured around the two cord hooks.

### Vacuum is not picking up debris. No suction or light suction.

- Check filters to see if they need cleaning. Follow instructions for rinsing and air-drying the filters before reinstalling them in the vacuum.
- Dust cup may be full; empty dust cup.
- Check handle, hose, hose connections, nozzle, wand, pod, and accessories for blockages. Clear any blockages found.
- If any string, hair, or carpet fibers are wrapped around the PowerFins brushroll, carefully cut debris with scissors and remove from brushroll. See Nozzle Maintenance section for more information.

### Vacuum lifts area rugs.

- Make sure Power/Surface switch is set to Hard Floor (setting I).
- Ensure the suction control slider on the handle is set to MIN.
- Suction is powerful. Take care when vacuuming area rugs or rugs with delicately sewn edges.

### Brushrolls do not spin in carpet cleaning mode.

- If the headlight indicator light turns red, immediately turn off and unplug the vacuum. Remove pod from floor nozzle and clear any blockages. Reconnect nozzle, plug in vacuum, and turn on power.
- With the power on, recline the handle, which will automatically turn on the brushrolls.
- If this problem persists on thick carpets, move the suction control slider to MIN.

### Vacuum turns off on its own or headlight indicator lights flash red.

If your vacuum overheats, the thermostat will automatically turn off the motor. Perform the following steps to restart:

- Turn vacuum off and unplug it.
- Empty dust cup and clean filters. See Emptying the Dust Cup and Cleaning and Replacing the Filters sections for more information.
- Check for blockages in hose, wand, floor nozzle, accessories, and inlet openings.
- Allow unit to cool for a minimum of 60 minutes.
- Plug in vacuum and turn it on.

### Vacuum is emitting air that smells bad.

- Dust cup may be full; empty dust cup. Empty dust cup after each use for optimal Anti-Odour Technology performance.
- Check filters to see if they need cleaning. Follow instructions for rinsing and air-drying the filters before reinstalling them.
- Check to make sure Odour cartridge is installed in the dial and the dial is installed in the nozzle.
- Check the Anti-Odour Technology dial on the nozzle to see what setting is enabled.
- If Anti-Odour Technology dial is at any setting from Low to High and the cartridge has been installed for 6 months or longer, consider replacing it.
- If the Odour cartridge is still emitting a scent but you dislike it, consider turning the intensity down, or reinstall the dial in the nozzle without the cartridge.
- If the Anti-Odour Technology cartridge is not emitting a scent, consider replacing it.

For all other issues, please go to support.[sharkclean.co.uk](http://sharkclean.co.uk) or call Customer Service 1-800-798-7398.

## FIVE (5)YEAR LIMITED GUARANTEE

When a consumer buys a product in the UK, they get the benefit of legal rights relating to the quality of the product (your "statutory rights"). You can enforce these rights against your retailer. However, at Shark® we are so confident about the quality of our products that we give you an additional manufacturer's warranty of up to five years (one year as standard, plus a further four years upon registration with Shark®). Offer valid only in United Kingdom and Republic of Ireland. These terms and conditions relate to our manufacturer's guarantee only - your statutory rights are unaffected.

The conditions below describe the prerequisites and scope of our guarantee.

### Shark® Guarantees

A household appliance like a vacuum cleaner constitutes a sizeable investment. Your new machine needs to work properly for as long as possible. The guarantee it comes with is an important consideration - and reflects how much confidence the manufacturer has in its product and manufacturing quality.

Every Shark® machine comes with a free parts and labour guarantee. Our customer service helpline (0800 862 0453) is open from 9.00am to 6.00pm Monday - Friday. It's free to call, and you'll be put straight through to a Shark® representative. You'll also find online support at [sharkclean.co.uk](http://sharkclean.co.uk).

### How do I register my extended Shark® guarantee?

If you have purchased your vacuum directly from [sharkclean.co.uk](http://sharkclean.co.uk) your guarantee is registered automatically. You can also register your guarantee at [sharkclean.co.uk](http://sharkclean.co.uk) within 28 days of purchase. To save time, you'll need the following information about your machine:

- Date you purchased the machine (receipt or delivery note)
- Model Number

### IMPORTANT

- Your guarantee will only cover your product from the date of purchase.
- Please keep your receipt at all times. Should you need to use your guarantee we will need your receipt to verify the information you have supplied to us is correct. The inability to produce a valid receipt may invalidate your ability to claim against your guarantee.

### What are the benefits of registering my free Shark® guarantee?

When you register your guarantee we'll have your details to hand if we ever need to get in touch. You can also receive tips and advice on how to get the best out of your Shark® vacuum and hear the latest news about new Shark® technology and launches.

If you register your guarantee online, you'll get instant confirmation that we've received your details.

### How long are new Shark® machines guaranteed for?

Our confidence in our design and quality control means that your new Shark® vacuum cleaner is guaranteed for a total of up to five years (1 year plus an extended guarantee of 4 years on registration).

### What is covered by the free Shark® guarantee?

At Shark's discretion repair or replacement of your Shark® machine, including all parts and labour. A Shark® guarantee is in addition to your legal rights as a consumer.

### What is not covered by the free Shark® guarantee?

- Blockages - for details of how to unblock your vacuum cleaner, please refer to the Operating Manual.
- Normal wear and tear such as brush bar, fuse, belt etc.
- Accidental damage, faults caused by negligent use or care, misuse, neglect, careless operation or handling of the vacuum cleaner which is not in accordance with the Shark® Operating Manual supplied with your machine.
- Use of the vacuum cleaner for anything other than normal domestic household purposes.
- Use of parts not assembled or installed in accordance with the operating instructions.
- Use of parts and accessories which are not Shark® Genuine Components.
- Faulty installation (except where installed by Shark®).
- Repairs or alterations carried out by parties other than Shark® or its agents.

### What happens when my guarantee runs out?

Shark® does not design products to last for a limited time. We do appreciate that there may be a desire for our customers to want to repair their vacuum cleaners after the guarantee has lapsed. In this case please contact our Freephone customer service help line and ask about our out of guarantee program, on 0800 862 0453.

### Where can I buy genuine Shark® spares and accessories?

Shark® spares and accessories are developed by the same engineers who developed your Shark® vacuum. You'll find a full range of accessories, spares and replacement parts for all Shark® machines at [sharkclean.co.uk](http://sharkclean.co.uk) Only use Shark® branded filters and accessories. Damage caused by use of non-Shark parts may not be covered by your guarantee.

**PLEASE READ CAREFULLY AND KEEP FOR FUTURE REFERENCE.**

This Owner's Guide is designed to help you get a complete understanding of your new Shark Lift-Away with Anti-Hair Wrap Plus and Anti-Odour Technology Upright Vacuum.

Illustrations may differ from actual product. We are constantly striving to improve our products; therefore the specifications contained herein are subject to change without notice.

**SharkNinja Europe Limited,  
1st/2nd Floor Building 3150,  
Thorpe Park, Century Way,  
Leeds, England, LS15 8ZB, UK  
+44 (0)800 862 0453  
[www.sharkclean.co.uk](http://www.sharkclean.co.uk)**

**SharkNinja Germany GmbH,  
Rotfeder-Ring-9,  
60327 Frankfurt am Main,  
Germany  
[www.sharkclean.eu](http://www.sharkclean.eu)**

---

© 2024 SharkNinja Operating LLC, LIFT-AWAY, POWERFINS, and SHARK are registered trademarks of SharkNinja Operating LLC.