

KM 2354

Gas hob

in maximum width for the ultimate in cooking and user convenience.



- Simple controls -single-handed operation via rotary dial control
- Modern design - 888mm wide, flat-fit stainless-steel trough
- Particularly versatile - 5 burners incl. 1 dual wok
- Extremely safe - GasStop function
- Easy cleaning - dishwasher-safe ComfortClean pot rests

EAN: 4002515169032 / material number: 09289880

<b>Heating type</b>	
Heating type	Gas
<b>Construction type</b>	
Independent of cooker	•
<b>Design</b>	
Stainless steel trough	•
Miele logo embossed in stainless steel	•
Cast iron pot rests (matt black enamelled)	•
<b>Cooking zone details</b>	
Number of cooking zones	5
<b>Cooking zone</b>	
Position	front left
Type	Economy burner
Max. rating in W	1000
Position	rear left
Type	High-speed burner
Max. rating in W	2700
Position	Centred
Type	Dual wok burner
Max. rating in W	4500
Position	rear right
Type	Standard burner
Max. rating in W	1700
Position	front right
Type	Standard burner
Max. rating in W	1700
<b>User convenience</b>	
Operation via knobs	•
Electronic ignition with single-hand operation	•
<b>Cleaning convenience</b>	
Dishwasher-proof pot rests	•
<b>Safety</b>	
GasStop	•
<b>Technical data</b>	
Dimensions in mm (width)	888
Dimensions in mm (height)	75
Dimensions in mm (depth)	508
Casing height incl. connection box in mm	90
Cutout dimensions in mm (width) with surface-mounted installation	860
Cutout dimensions in mm (depth) with surface-mounted installation	490
Weight in kg	19
Total rated load in kW	11.9
Voltage in V	230
Connection cable length in m	2.0
<b>Standard accessories</b>	
Mains cable	•
Jets for liquid gas	•
Wok ring	•
Small trivet	•

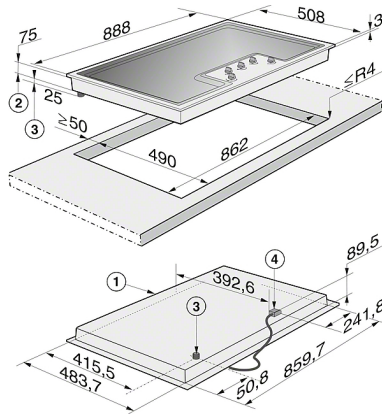
more information:  
<http://www.miele.co.uk/domestic>

For further information please see next page...

KM 2354

Gas hob

in maximum width for the ultimate in cooking and user convenience.



KM 2354 (Skizze)

1. front
2. Building-in depth
3. Gas connection R 1/2 - ISO 7-1 (DIN EN 10226)
4. Mains connection box with mains connection cable L = 2000 mm