

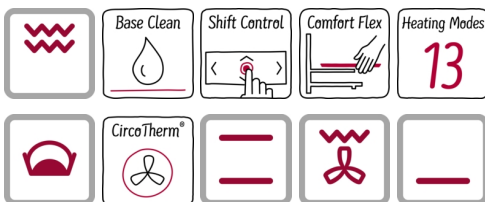
N 90
B47CS34NOB
OVEN
STAINLESS STEEL



COOKING PASSION SINCE 1877



A



Built-in oven with SLIDE&HIDE® - unrestricted access to the oven interior

- ✓ Slide&Hide® - unrestricted access in the oven interior and easy handling due to rotating handle
- ✓ CircoTherm® - the unique hot air-system for simultaneous baking and roasting on up to 3 levels
- ✓ EcoClean - the self-cleaning catalytic coating on the inside top and sides of the oven makes oven cleaning easier.
- ✓ BottomClean - the special cleaning programme for the oven floor.
- ✓ ShiftControl - fast navigation through menus and simple operation with the generous TFT display.
- ✓ ComfortFlex® - the telescoping rails come out far enough to let you grasp the baking sheet conveniently from the sides.

Features

Technical Data

Color / Material Front : Stainless steel
 Construction type : Built-in
 Integrated Cleaning system : Catalytic all sides, Hydrolytic
 Required niche size for installation (HxWxD) : 585-595 x 560-568 x 550
 Dimensions of the product (mm) : 595 x 596 x 548
 Dimensions of the packed product (HxWxD) (mm) : 675 x 690 x 660
 Control Panel Material : Stainless steel
 Door Material : Glass
 Net weight (kg) : 38.0
 Usable volume of cavity (l) : 71
 Cooking method : , Bottom heat, Bread Baking Setting, Conventional heat, Defrost, Dough proving setting, Full width grill, Half width grill, Hot Air, Hot Air-Eco, Hot air grilling, low temperature cooking, Pizza setting
 First cavity material : Enamelled
 Temperature control : electronic
 Number of interior lights : 1
 Approval certificates : CE, VDE
 Length of electrical supply cord (cm) : 120
 EAN code : 4242004181576
 Number of cavities (2010/30/EC) : 1
 Energy efficiency class (2010/30/EC) : A
 Energy consumption per cycle conventional (2010/30/EC) : 0.90
 Energy consumption per cycle forced air convection (2010/30/EC) : 0.74
 Energy efficiency index (2010/30/EC) : 87.1
 Electrical connection rating (W) : 3450
 Current (A) : 16
 Voltage (V) : 220-240
 Frequency (Hz) : 60; 50
 Plug type : no plug

Included accessories

2 x combination grid, 1 x universal pan



4 242004 181576

Optional accessories

Z11SZ80X0 SeamlessCombination 60 + 29cm
 Z11SZ90X0 SeamlessCombination 60 + 45cm

N 90
B47CS34NOB
OVEN
STAINLESS STEEL

Features

Special features

- 4.1" TFT colour and graphics display with ShiftControl
- CircoTherm® Eco
- Interior halogen light
- Slide&Hide® with rotating handle
- Temperature proposal
Actual temperature display
Heating up indicator
Sabbath setting

Features

- Oven with 13 heating methods: CircoTherm®, CircoTherm® Eco, Top/bottom heat, Conventional heat eco, Hot air grilling, Full surface grill, Centre surface grill, CircoTherm® intensive, Bread baking, Bottom heat, Low temperature cooking, Defrost, Dough proving
- Control panel lock
Automatic safety switch off
Residual heat indicator
Start button
Door contact switch
- Silver display EasyClock
- Full glass inner door
- Triple glazed door
- 1-level flexible, full extension, Stop function
- Additional functions:
Full steam cooking function (Neff system steamer accessory required)
- Bake and roast assist
- Rapid heat
- Cooling fan
- Stainless-steel fan
- Info button

Design

- TFT display
- Illuminated ShiftControl
- Slide&Hide® with rotating handle
- Cavity inner surface: Enamel anthracite

Cleaning

- EcoClean programme, BaseClean programme

Standard accessories

- 1-level flexible, full extension, Stop function

Accessories

- 2 x combination grid, 1 x universal pan

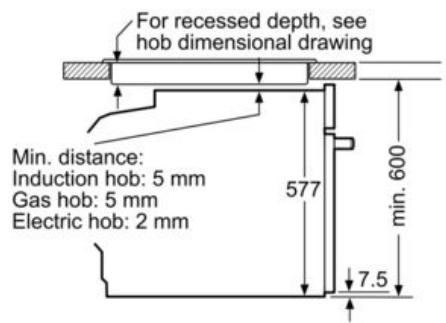
Technical information

- Cavity volume: 71 litre
- Temperature range 40 °C - 200 °C
- Length of mains cable: 120 cm
- Total connected load electric: 3.45 KW
- Appliance dimension (hxwxh): 595 mm x 596 mm x 548 mm
- Niche dimension (hxwxh): 585 mm - 595 mm x 560 mm - 568 mm x 550 mm
- Please refer to the dimensions provided in the installation manual
- Energy efficiency rating (acc. EU Nr. 65/2014):
Energy consumption per cycle in conventional mode: 87.1
Energy consumption per cycle in fan-forced convection mode: 0.74 kwh
Number of cavities: 1
Cavity volume: 71 litre

N 90
 B47CS34NOB
 OVEN
 STAINLESS STEEL

Dimensioned drawings

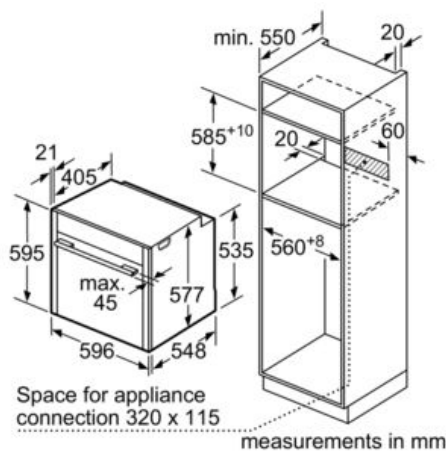
Installation with a hob.



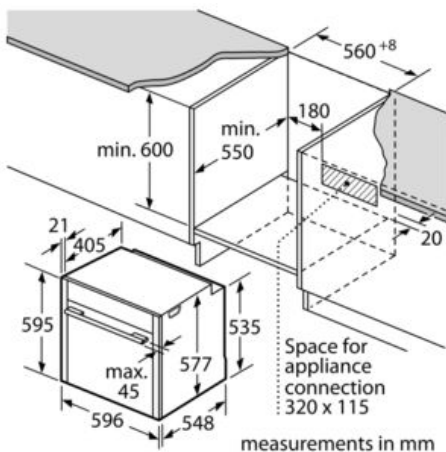
measurements in mm

If the appliance will be installed underneath a hob, the following worktop thicknesses (including substructure if necessary) must be taken into account.

Hob type	min. worktop thickness	
	fitted	flush
Induction hob	37 mm	38 mm
Full surface Induction hob	47 mm	48 mm
Gas hob	30 mm	38 mm
Electric hob	27 mm	30 mm



measurements in mm



measurements in mm