

**iQ700**  
**Brand Value Class: IQ700**  
**Compact steamer**  
**CD634GBS1B**



The compact steamer for delicious, low-fat, healthy food preparation.

- ✓ The fullSteam function: making it simple to cook healthy and delicious dishes.
- ✓ TFT Display: good readability from any perspective.
- ✓ cookControl Plus: guaranteed success for numerous dishes.
- ✓ softMove: gentle opening and closing of the oven door.
- ✓ Halogen-Illumination: for precise lighting.

**Features**

**Technical Data**

Color / Material Front : Stainless steel  
 Design : Built-in  
 Required niche size for installation (HxWxD) : 450 x 560 x 550  
 Dimensions of the product (mm) : 455 x 594 x 548  
 Control Panel Material : Stainless steel  
 Door Material : Glass  
 Net weight (kg) : 24.0  
 Approval certificates : CE, VDE  
 Length of electrical supply cord (cm) : 150  
 EAN code : 4242003671283  
 Current (A) : 10  
 Nominal power (kW) : 220-240  
 Frequency (Hz) : 60; 50  
 Plug type : GB plug  
 Approval certificates : CE, VDE

**Included accessories**

- 1 x steam container, punched, size L
- 1 x steam container, unpunched, size L
- 1 x sponge



**Optional accessories**

- HZ6SCC0 Cookbook
- HZ36D533P porcelain tray-GN2/3- unpunched
- HZ36D513P porcelain tray-GN1/3- unpunched

## iQ700

## Brand Value Class: IQ700

## Compact steamer

## CD634GBS1B

## Features

**Design**

- Compact steamer with 4 heating methods: steam, reheating, Dough proving, defrost
- Stainless steel control dial
- Bar handle
- Cavity inner surface: Stainless steel
- Full colour display

**Key Information**

- 2.8" TFT Display
- Digital display
- Digital temperature display with proposal  
Actual temperature display  
Heating-up indicator  
Automatic programmes
- Control panel lock  
Automatic safety switch off  
start button  
Door contact switch

**Features**

- Electronic oven clock timer
- 1 interior light
- Tank empty indicator
- Heat reflective glass
- Full glass inner door
- 4 shelf positions
- Removable wire shelf support rails, Smooth enamelled oven interior
- Integral cooling fan

**Programmes/functions**

- Additional heating methods with steam: steam, reheating, Dough proving, defrost
- Additional functions:  
Descaling programme  
autom. boiling point detection
- Automatic programmes

**Performance/technical information**

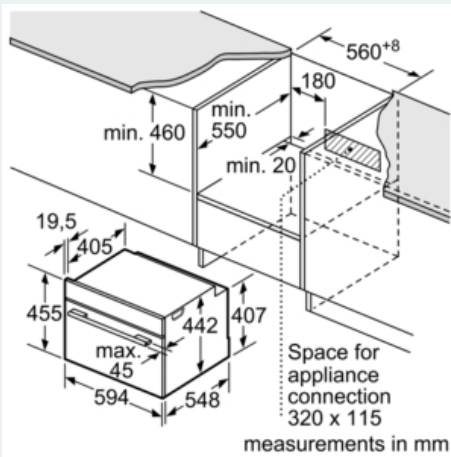
- Cavity volume: 38 litres
- Water tank capacity: 1.3 litre
- Smooth steel oven interior
- Temperature range 30 °C - 100 °C
- Length of mains cable: 150 cm
- Total connected load electric: 1.75 KW
- Appliance dimension (hxwxd): 455 mm x 594 mm x 548 mm
- Niche dimension (hxwxd): 450 mm - 455 mm x 560 mm - 568 mm x 550 mm
- Please reference the built-in dimensions provided in the installation drawing

**Standard accessories**

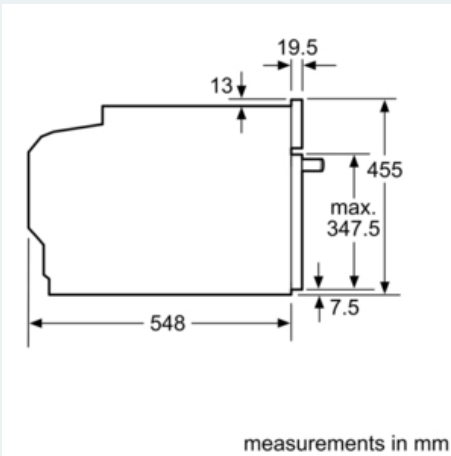
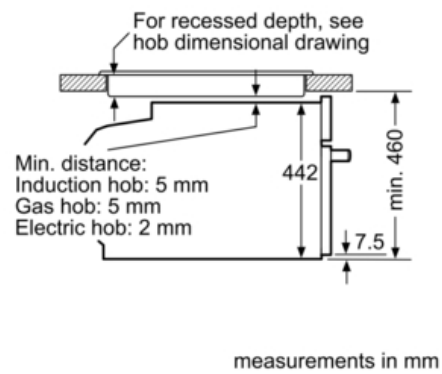
- 1 x steam container, punched, size L, 1 x steam container, unpunched, size L, 1 x sponge
- softMove: gentle opening and closing of the oven door.

iQ700  
 Brand Value Class: IQ700  
 Compact steamer  
 CD634GBS1B

Dimensioned drawings



Installation with a hob.



If the compact appliance will be installed underneath a hob, the following worktop thicknesses (including substructure if necessary) must be taken into account.

Hob type	min. worktop thickness	
	fitted	flush
Induction hob	42 mm	43 mm
Full surface induction hob	52 mm	53 mm
Gas hob	32 mm	39 mm
Electric hob	32 mm	35 mm

