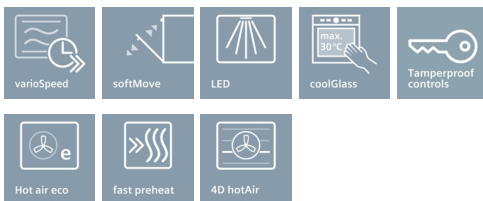


## iQ700 Compact oven with microwave CM633GBS1B



The compact oven with a height of 45 cm and a built-in microwave and sensors for quick, perfect combination cooking.

- ✓ varioSpeed: reduce cooking times by up to 50%.
- ✓ TFT Display: good readability from any perspective.
- ✓ cookControl Plus: guaranteed success for numerous dishes.
- ✓ softMove: gentle opening and closing of the oven door.
- ✓ LED-Illumination: optimum, energy-efficient illumination.

### Features

#### Technical Data

Type of micro-wave oven : MW-Combi  
 Control panel : Electronic  
 Color / Material Front : Stainless steel  
 Dimensions of the product (mm) : 455 x 594 x 548  
 Cavity dimensions (mm) : 237.0 x 480 x 392.0  
 Length of electrical supply cord (cm) : 150  
 Net weight (kg) : 35.0  
 Gross weight (kg) : 38.0  
 EAN code : 4242003674093  
 Max. microwave power (W) : 900  
 Connection rating (W) : 3600  
 Current (A) : 16  
 Nominal power (kW) : 220-240  
 Frequency (Hz) : 50; 60  
 Plug type : no plug

#### Included accessories

1 x combination grid  
 1 x universal pan



4 242003 674093

### Optional accessories

HZ6LCCO    Cookbook

## iQ700

### Compact oven with microwave

#### CM633GBS1B

#### Features

##### Design

- Stainless steel control dial
- Bar handle
- Drop down oven door, softClose, softOpen
- Cavity inner surface: Enamel anthracite
- Full colour display

##### Key features

- 2.8" TFT Display
- TFT clearText display
- Digital temperature display with proposal  
Actual temperature display  
Heating-up indicator  
Automatic programmes
- Control panel lock  
Automatic safety switch off  
Residual heat indicator  
start button  
Door contact switch

##### Features

- Electronic oven clock timer
- LED illumination
- Microwave top door
- 3 shelf positions
- Stainless-steel fan
- Integral cooling fan

##### Programmes/functions

- Compact oven with microwave with 6 heating methods:  
4D hot air, hotairEco, hot air grilling, full width grill, half width grill,  
keep warm
- Additional heating methods with microwave: Microwave, Combi  
microwave constant
- Fast pre-heating function
- Automatic programmes
- Info button

##### Performance/technical information

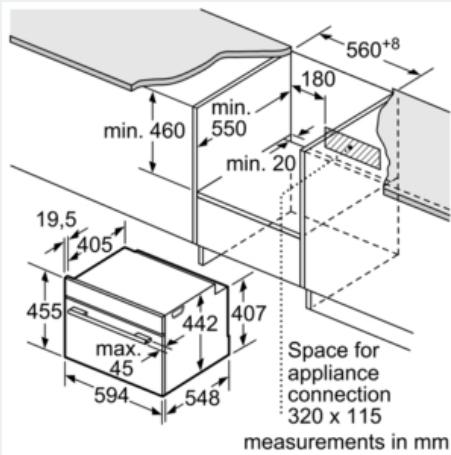
- 45 litres
- Max. Power: 900 W; 5 Microwave power settings (90 W,180 W,360  
W,600 W,900 W) with Inverter (MW)
- Maximum door temperature 30 °C
- Length of mains cable: 150 cm
- Total connected load electric: 3.6 KW
- Appliance dimension (hxwxd): 455 mm x 594 mm x 548 mm
- Niche dimension (hxwxd): 450 mm - 455 mm x 560 mm - 568 mm  
x 550 mm
- Please reference the built-in dimensions provided in the installation  
drawing

##### Standard accessories

- Pull out system: Not available
- 1 x combination grid, 1 x universal pan

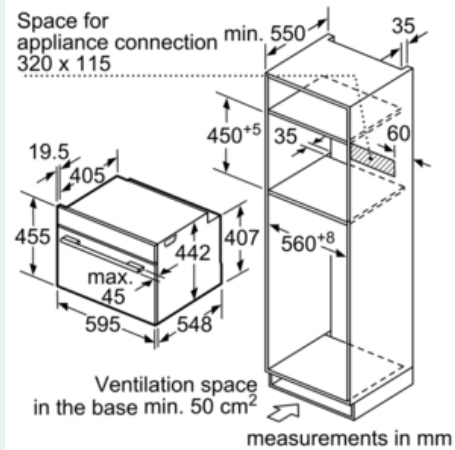
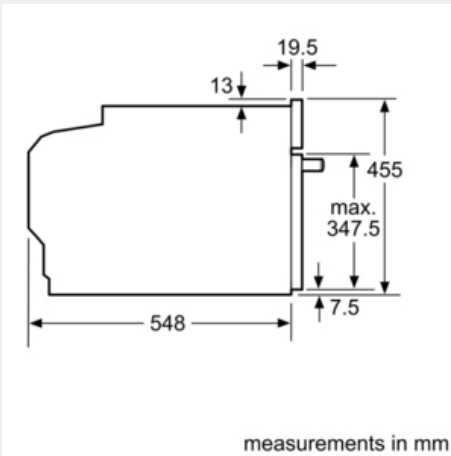
iQ700  
Compact oven with microwave  
CM633GBS1B

Dimensioned drawings



If the compact appliance will be installed underneath a hob, the following worktop thicknesses (including substructure if necessary) must be taken into account.

Hob type	min. worktop thickness	
	fitted	flush
Induction hob	42 mm	43 mm
Full surface induction hob	52 mm	53 mm
Gas hob	32 mm	39 mm
Electric hob	32 mm	35 mm



Installation with a hob.

