

## Serie | 8 Microwave oven

### Compact oven with microwave CMG656BB6B Black



### The compact oven with microwave function: enables you to achieve perfect baking and roasting results very quickly.

- **The compact oven with microwave function:** enables you to achieve perfect baking and roasting results very quickly.
- **BoschAssist:** automatic setting of the optimal type of heat, temperature and time for countless dishes.
- **TFT touchscreen control:** easy-to-use thanks to the control ring with full text and images.
- **EcoClean Direct:** almost no cleaning is necessary thanks to a special coating that automatically absorbs grime.
- **Home Connect:** home appliances with smart connectivity for an easier everyday life.

#### Technical Data

Type of micro-wave oven :	MW-Combi
Type of control :	Electronic
Color / Material Front :	Black
Dimensions of the product (mm) :	455 x 594 x 548
Cavity dimensions (mm) :	237.0 x 480 x 392.0
Length of electrical supply cord (cm) :	150
Net weight (kg) :	36.0
Gross weight (kg) :	38.0
EAN code :	4242002932521
Maximum micro-wave power (W) :	900
Connection rating (W) :	3600
Current (A) :	16
Voltage (V) :	220-240
Frequency (Hz) :	60; 50
Plug type :	no plug

#### Included accessories

- 1 x combination grid
- 1 x universal pan



#### Optional accessories

- HEZ6NCF0 : Cookbook

## Serie | 8 Microwave oven

### Compact oven with microwave CMG656BB6B Black

**The compact oven with microwave function: enables you to achieve perfect baking and roasting results very quickly.**

#### Key features

- 3x 2,5"-TFT colour and graphics display with direct touch function
- EcoClean Direct : back panel, side liners, ceiling
- EcoClean Direct programme
- BoschAssist
- Digital temperature display with proposal  
Actual temperature display  
Heating-up indicator  
Sabbath setting

#### Design

- Stainless steel control wheel
- Drop down door, SoftClose, SoftOpen
- Straight bar handle with steel handle fixing blocks

#### Features

- Electronic clock timer
- Info button
- LED light
- Cavity inner surface: Enamel anthracite
- Integral cooling fan
- 3 shelf positions
- Microwave top door
- Control panel lock  
Automatic safety switch off  
Residual heat indicator  
Start button  
Door contact switch

#### Programmes/functions

- Compact oven with microwave with 12 heating methods:  
4D Hotair, Hotair Eco, conventional top and bottom heat, conventional heat Eco, Hotair grilling, full width variable grill, half width grill, pizza function, bottom heat, low temperature cooking, plate warming, keep warm
- Additional heating methods with microwave: Microwave, Combi microwave variable
- EcoClean Direct programme
- Fast heat

#### Performance/technical information

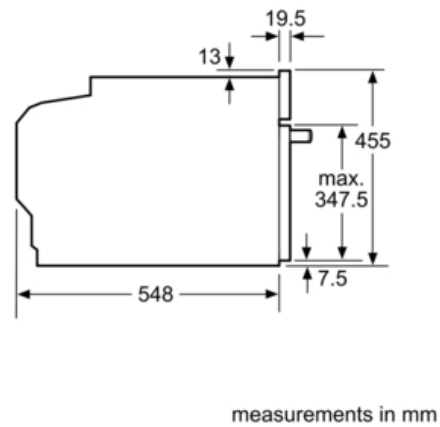
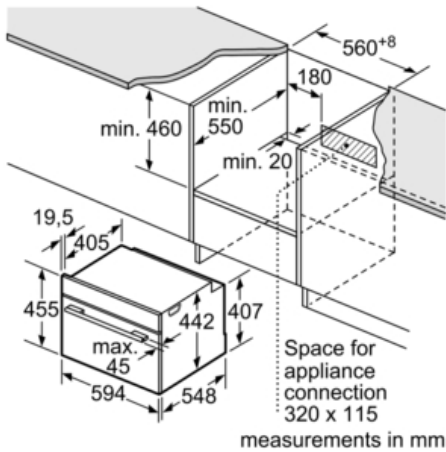
- 45 litre capacity
- Temperature range 30 °C - 300 °C
- Microwave inverter technology
- Stirrer fan distribution
- Max. Power: 900 W; 5 Microwave power settings (90 W,180 W,360 W,600 W,900 W) with Inverter (MW)
- Length of mains cable: 150 cm
- Total connected load electric: 3.6 KW
- Appliance dimension (hxwx): 455 mm x 594 mm x 548 mm
- Niche dimension (hxwx): 450 mm - 455 mm x 560 mm - 568 mm x 550 mm
- Maximum window temperature 30° C
- Please reference the built-in dimensions provided in the installation drawing
- Energy efficiency rating (acc. EU Nr. 65/2014):  
Number of cavities: 1  
Heat source: electrical  
Cavity volume: 45 litre capacity

#### Standard accessories

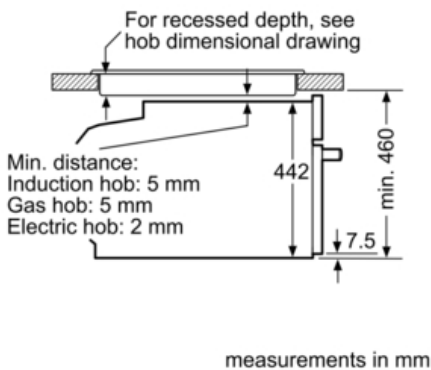
- 1 x combination grid, 1 x universal pan

## Serie | 8 Microwave oven

### Compact oven with microwave CMG656BB6B Black



Installation with a hob.



If the compact appliance will be installed underneath a hob, the following worktop thicknesses (including substructure if necessary) must be taken into account.

Hob type	min. worktop thickness	
	fitted	flush
Induction hob	42 mm	43 mm
Full surface induction hob	52 mm	53 mm
Gas hob	32 mm	39 mm
Electric hob	32 mm	35 mm

