

Serie | 8 Microwave oven

Compact oven with microwave Compact combi MW Oven CMG676BS6B brushed steel



The compact oven with microwave function: enables you to achieve perfect baking and roasting results very quickly.

- **The compact oven with microwave function:** enables you to achieve perfect baking and roasting results very quickly.
- **BoschAssist:** automatic setting of the optimal type of heat, temperature and time for countless dishes.
- **TFT touchscreen control:** easy-to-use thanks to the control ring with full text and images.
- **Pyrolytic self-cleaning:** no cleaning effort thanks to automatic self-cleaning. Incl pyrolytic proof rails.
- **Home Connect:** home appliances with smart connectivity for an easier everyday life.

Technical Data

Type of micro-wave oven :	MW-Combi
Type of control :	Electronic
Color / Material Front :	Stainless steel
Dimensions of the product (mm) :	455 x 594 x 548
Cavity dimensions (mm) :	237.0 x 480 x 392.0
Length of electrical supply cord (cm) :	150
Net weight (kg) :	38.0
Gross weight (kg) :	40.0
EAN code :	4242002932538
Maximum micro-wave power (W) :	900
Connection rating (W) :	3600
Current (A) :	16
Voltage (V) :	220-240
Frequency (Hz) :	50; 60
Plug type :	no plug

Included accessories

- 1 x combination grid
- 1 x universal pan



Optional accessories

- HEZ6NCF0 : Cookbook

Serie | 8 Microwave oven

Compact oven with microwave Compact combi MW Oven CMG676BS6B brushed steel

The compact oven with microwave function: enables you to achieve perfect baking and roasting results very quickly.

Key features

- 3x 2,5"-TFT colour and graphics display with direct touch function
- Pyrolytic self-cleaning function
- BoschAssist
- Digital temperature display with proposal
Actual temperature display
Heating-up indicator
Sabbath setting

Design

- Stainless steel control wheel
- Drop down door, SoftClose, SoftOpen
- Straight bar handle with steel handle fixing blocks

Features

- Electronic clock timer
- LED light
- Cavity inner surface: Enamel anthracite
- Pyrolytic proof trayholder and baking tray
- Integral cooling fan
- 3 shelf positions
- Microwave top door
- Door lock during pyrolytic cleaning
Control panel lock
Automatic safety switch off
Residual heat indicator
Start button
Door contact switch

Programmes/functions

- Compact oven with microwave with 12 heating methods:
4D Hotair, Hotair Eco, conventional top and bottom heat, conventional heat Eco, Hotair grilling, full width variable grill, half width grill, pizza function, bottom heat, low temperature cooking, plate warming, keep warm
- Additional heating methods with microwave: Microwave, Combi microwave variable
- Fast heat

Performance/technical information

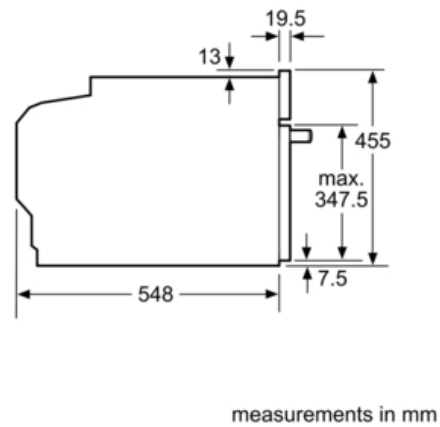
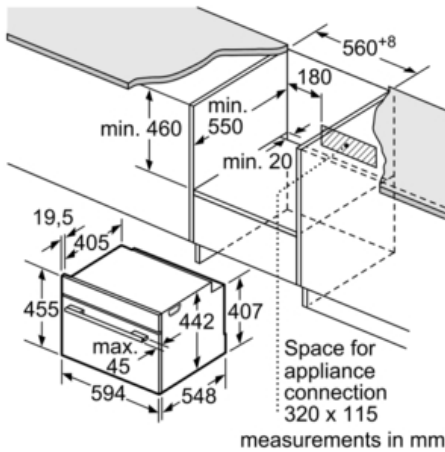
- 45 litre capacity
- Temperature range 30 °C - 300 °C
- Microwave inverter technology
- Stirrer fan distribution
- Max. Power: 900 W; 5 Microwave power settings (90 W,180 W,360 W,600 W,900 W) with Inverter (MW)
- Length of mains cable: 150 cm
- Total connected load electric: 3.6 KW
- Appliance dimension (hxwxh): 455 mm x 594 mm x 548 mm
- Niche dimension (hxwxh): 450 mm - 455 mm x 560 mm - 568 mm x 550 mm
- Maximum window temperature 30° C
- Please reference the built-in dimensions provided in the installation drawing
- Energy efficiency rating (acc. EU Nr. 65/2014):
Number of cavities: 1
Heat source: electrical
Cavity volume: 45 litre capacity

Standard accessories

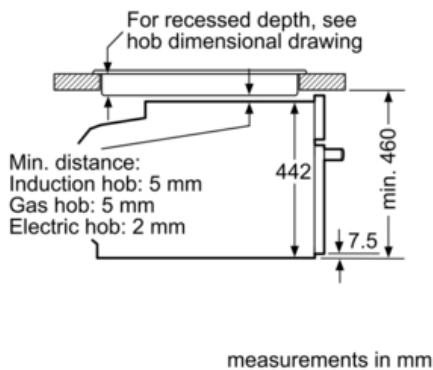
- 1 x combination grid, 1 x universal pan

Serie | 8 Microwave oven

Compact oven with microwave Compact combi MW Oven CMG676BS6B brushed steel



Installation with a hob.



If the compact appliance will be installed underneath a hob, the following worktop thicknesses (including substructure if necessary) must be taken into account.

Hob type	min. worktop thickness	
	fitted	flush
Induction hob	42 mm	43 mm
Full surface induction hob	52 mm	53 mm
Gas hob	32 mm	39 mm
Electric hob	32 mm	35 mm

