

## Serie | 8 Steam-Oven

### Compact steam oven CSG656BS6B brushed steel


**A+**


### The compact steam oven with hot air function: lets you combine gentle cooking with the power of hot air.

- **Steam baking:** by adding steam, foods turn out crispy on the outside and juicy on the inside.
- **BoschAssist:** automatic setting of the optimal type of heat, temperature and time for countless dishes.
- **TFT touchscreen control:** easy-to-use thanks to the control ring with full text and images.
- **Connect:** Access and control your oven, no matter where you are - with the easy-to-use Home Connect App
- **EcoClean Direct:** almost no cleaning is necessary thanks to a special coating that automatically absorbs grime.
- **LED lighting:** perfect illumination of foods with minimum energy consumption.

#### Technical Data

Color / Material Front :	Stainless steel
Construction type :	Built-in
Door opening :	Drop down
Required niche size for installation (HxWxD) :	450 x 560 x 550
Dimensions of the product (mm) :	455 x 594 x 548
Control Panel Material :	Stainless steel
Door Material :	Glass
Net weight (kg) :	35.0
Approval certificates :	CE, VDE
Length of electrical supply cord (cm) :	150
EAN code :	4242005032556
Current (A) :	16
Voltage (V) :	220-240
Frequency (Hz) :	60; 50
Plug type :	no plug
Approval certificates :	CE, VDE
Number of cavities (2010/30/EC) :	1
:	47
Energy efficiency class (2010/30/EC) :	A+
Energy consumption per cycle conventional (2010/30/EC) :	0.73
Energy consumption per cycle forced air convection (2010/30/EC) :	0.61
Energy efficiency index (2010/30/EC) :	81.3

#### Included accessories

1 x steam container, punched, size S, 1 x steam container, punched, size XL, 1 x steam container, unpunched, size S, 1 x grid, 1 x universal pan



#### Optional accessories

HEZ6FCG0 : Cookbook

## Serie | 8 Steam-Oven

### Compact steam oven CSG656BS6B brushed steel

**The compact steam oven with hot air function: lets you combine gentle cooking with the power of hot air.**

#### Key Information

- 3x 2,5"-TFT colour and graphics display with direct touch function
- EcoClean Direct : side liners, back panel, ceiling
- EcoClean Direct programme
- BoschAssist
- Digital temperature display with proposal  
Actual temperature display  
Heating-up indicator  
Sabbath setting

#### Design

- Stainless steel control wheel
- Drop down door, SoftClose, SoftOpen
- Straight bar handle

#### Features

- Electronic clock timer
- LED light
- Cavity inner surface: Enamel anthracite
- Integral cooling fan
- 3 shelf positions
- Full glass inner door
- Control panel lock  
Automatic safety switch off  
Residual heat indicator  
Start button  
Door contact switch
- Tank empty indicator

#### Programmes/functions

- Compact steam oven with 12 heating methods: 4D Hotair, Hotair Eco, conventional top and bottom heat, conventional heat Eco, Hotair grilling, full width variable grill, half width grill, pizza function, bottom heat, low temperature cooking, plate warming, keep warm
- Additional heating methods with steam: Steam cooking , reheating, Dough proving, defrost
- Additional functions:  
Descaling programme  
Drying function  
autom. boiling point detection
- EcoClean Direct programme
- Fast heat

#### Performance/technical information

- Cavity volume: 47 litre capacity
- Water tank 1 litre
- Location of the steam generator is outside of the cavity
- Length of mains cable: 150 cm
- Total connected load electric: 3.3 KW
- Appliance dimension (hxwx): 455 mm x 594 mm x 548 mm
- Niche dimension (hxwx): 450 mm - 455 mm x 560 mm - 568 mm x 550 mm
- Maximum window temperature 40° C
- Please reference the built-in dimensions provided in the installation drawing
- Energy efficiency rating (acc. EU Nr. 65/2014):  
Energy consumption per cycle in conventional mode: 81.3  
Energy consumption per cycle in fan-forced convection mode: 0.61 kwh  
Number of cavities: 1  
Heat source: electrical  
Cavity volume: 47 litre capacity

#### Standard accessories

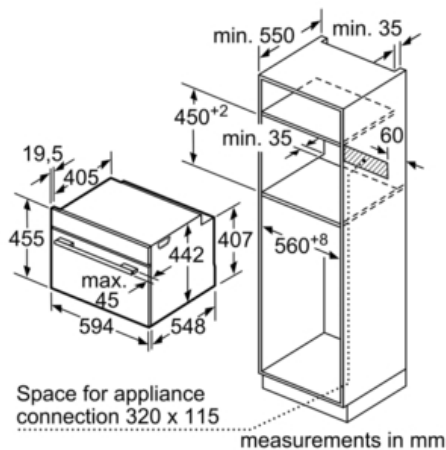
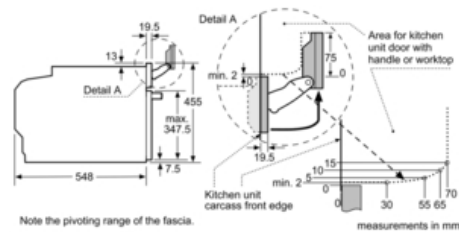
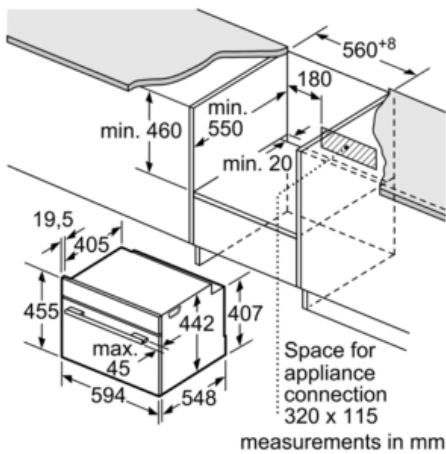
- Cavity with shelf support rails, Telescopic slide-out Accessory
- Pull out system: Available as an additional accessory

#### Optional accessories

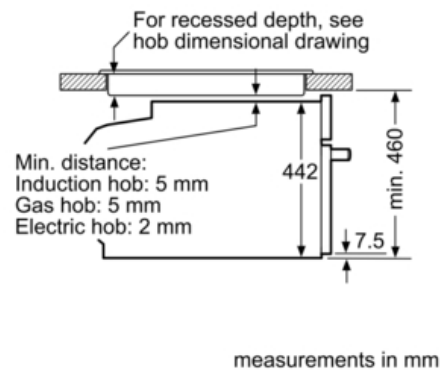
- 1 x steam container, punched, size S, 1 x steam container, punched, size XL, 1 x steam container, unpunched, size S, 1 x grid, 1 x universal pan
- Energy efficiency rating (acc. EU Nr. 65/2014):  
Energy consumption per cycle in conventional mode: 81.3  
Energy consumption per cycle in fan-forced convection mode: 0.61 kwh  
Number of cavities: 1  
Heat source: electrical  
Cavity volume: 47 litre capacity

## Serie | 8 Steam-Oven

### Compact steam oven CSG656BS6B brushed steel



Installation with a hob.



If the compact appliance will be installed underneath a hob, the following worktop thicknesses (including substructure if necessary) must be taken into account.

Hob type	min. worktop thickness	
	fitted	flush
Induction hob	42 mm	43 mm
Full surface induction hob	52 mm	53 mm
Gas hob	32 mm	39 mm
Electric hob	32 mm	35 mm