

Serie | 2 Hoods
Classixx
Chimney extractor hood with
glass canopy
DWA064W51B brushed steel

Wall mounted chimney hoods add style and sophistication to the kitchen and give you complete freedom in your kitchen planning.

- An impressive extraction rate of 450 m³/h ensures this hood will have your kitchen odour free in no time.
- Halogen lighting provides energy efficient and bright lighting of the hob area.

Technical Data

Color chimney :	Stainless steel
Typology :	Chimney
Approval certificates :	CE, VDE
Length of electrical supply cord (cm) :	130
Height of the chimney (mm) :	581-897/581-1007
Height of product, without chimney (mm) :	57
Minimum distance above an electric hob :	550
Minimum distance above a gas hob :	650
Net weight (kg) :	17.0
Type of control :	mechanical
Number of speed settings :	3
Maximum output air extraction (m ³ /h) :	450
Maximum output recirculating air (m ³ /h) :	290
Number of lights (Stck) :	2
Noise level (dB) :	62
Diameter of air outlet (mm) :	150 / 120
Grease filter material :	Washable aluminium
EAN code :	4242002779607
Connection rating (W) :	170
Current (A) :	10
Voltage (V) :	220-240
Frequency (Hz) :	50; 60
Plug type :	GB plug
Installation type :	Wall-mounted


Optional accessories

DHZ5325 : Recirculating kit

Serie | 2 Hoods

Classixx

Chimney extractor hood with glass canopy DWA064W51B brushed steel

Wall mounted chimney hoods add style and sophistication to the kitchen and give you complete freedom in your kitchen planning.

Key features

- Electronic power level display

Design

- 60 cm wide
- Designed for wall mounted installation
- Height adjustable chimney sections
- brushed steel with glass canopy

Features

- Rocker switch control for extractor speeds and light
- 3 power levels
- 2 x 20 W
- 1 removable metal grease filter cassette

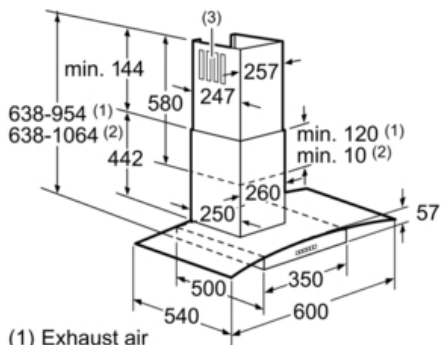
Performance/technical information

- Suitable for ducted or recirculating operation
- Noise level according to EN 60704-3 and EN 60704-2-13 at maximum normal setting: extraction rate: 62 dB (A) re 1pW (48 dB (A) re 20 µPa sound pressure)

Serie | 2 Hoods

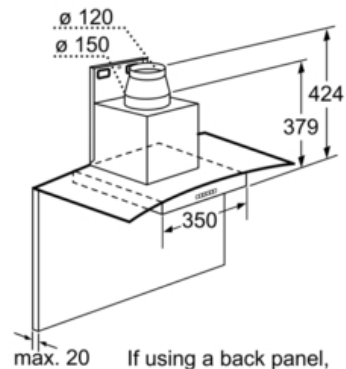
Classixx

Chimney extractor hood with glass canopy DWA064W51B brushed steel



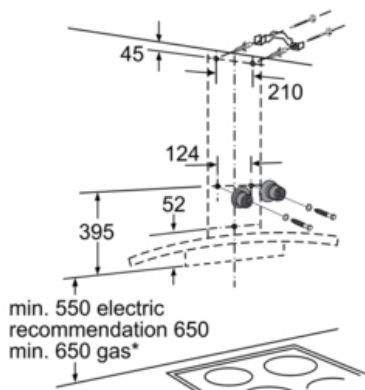
- (1) Exhaust air
- (2) Circulated air
- (3) Air outlet - Fit the exhaust air slot facing downwards

Measurements in mm



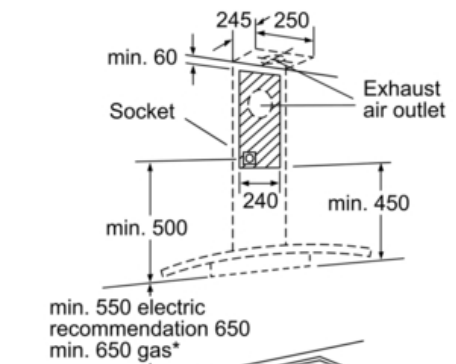
If using a back panel, the design of the appliance must be taken into account.

Measurements in mm



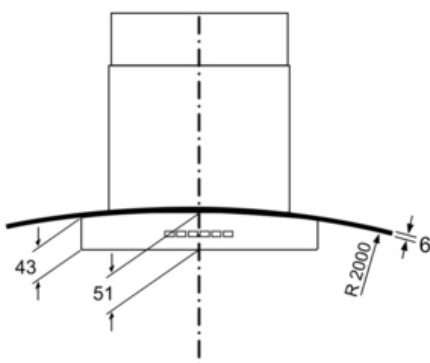
* from upper edge of pan support

Measurements in mm



* from upper edge of pan support

Measurements in mm



Measurements in mm