

FAB10RR

50's Retro style

50's style Fridge with ice compartment
in Red, Right hand hinge

Energy efficiency class A+

EAN13: 8017709133177



- Gross capacity: 120 litres
- Energy consumption: 169 Kw/h per year
- Climatic class: SN
- Freezing capacity: 2kg/24h
- Thaw time: 10h

Refrigerator

- Fresh food capacity: 101 litres
- Automatic defrost
- Adjustable thermostat
- 2 adjustable glass shelves
- 1 fruit and vegetable drawer

Ice Box (Four stars)

- Frozen food capacity: 13 litres
- Ice cube tray

NB: This model replaces the FAB10R



Key to symbols



Versions

- **FAB10LNE** - 50's Style refrigerator with ice compartment, Black, LHH
- **FAB10LR** - 50's Style refrigerator with ice compartment, Red, LHH
- **FAB10LUJ** - 50's Style refrigerator with ice compartment, Union Jack, LHH
- **FAB10RR** - 50's Style refrigerator with ice compartment, Red, RHH
- **FAB10RUJ** - 50's Style refrigerator with ice compartment, Union Jack, RHH
- **FAB10RP** - 50's Style refrigerator with ice compartment, Cream, RHH
- **FAB10LP** - 50's Style refrigerator with ice compartment, Cream, LHH
- **FAB10LO** - 50's Style refrigerator with ice compartment, Orange, LHH
- **FAB10RO** - 50's Style refrigerator with ice compartment, Orange, RHH
- **FAB10RB** - 50's Style refrigerator with ice compartment, White, RHH
- **FAB10LB** - 50's Style refrigerator with ice compartment, White, LHH
- **FAB10RNE** - 50's Style refrigerator with ice compartment, Black, RHH



FAB10RR

50's Retro style

fridge
free standing
single door
red
60 cm
energy rating A+



A+:

Smeg products with A+ or A++ energy rating are highlighted with one of the following Symbols



Automatic defrost:

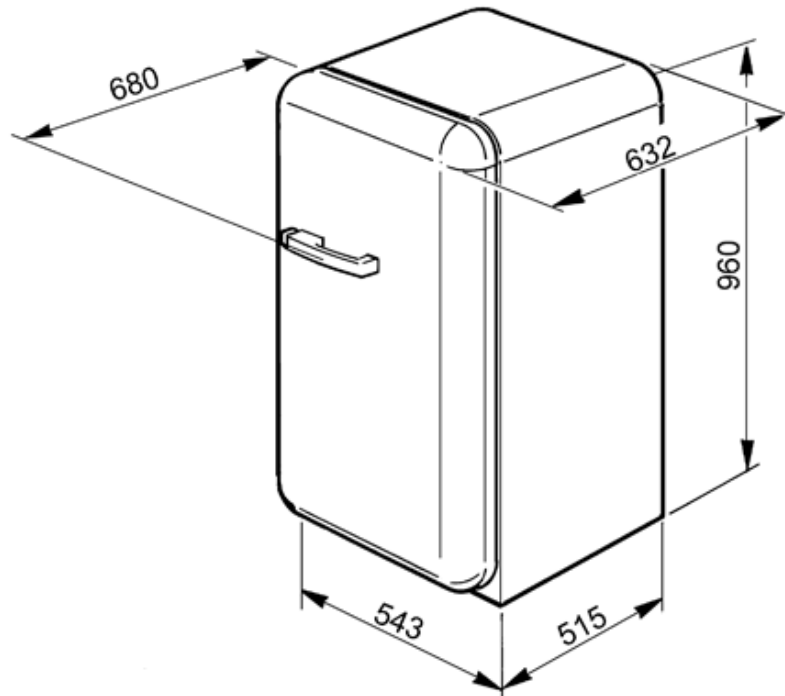
The automatic defrost system works by automatically defrosting at regular intervals eradicating the need to defrost altogether.

Smeg (UK) Ltd
The Magna Building, Wyndyke Furlong, Abingdon
OX14 1DZ
Tel. +44 (0)844 557 9907
Fax +44 (0)844 557 9337



FAB10RR

50's Retro style
fridge
free standing
single door
red
60 cm
energy rating A+



Smeg (UK) Ltd
The Magna Building, Wyndyke Furlong, Abingdon
OX14 1DZ
Tel. +44 (0)844 557 9907
Fax +44 (0)844 557 9337