

FAB30LFS

50's Retro style

50's Style Fridge-Freezer Silver, Left hand hinge
Energy Efficiency Class A**

EAN13: 8017709174545



- Gross capacity: 295 litres
- Noise level: 38 dB(A) RE 1 pW
- Energy consumption: 212 Kwh per year
- Climatic class: SN-T
- Freezing capacity: 3kg/24h
- Thaw time: 15h
- Fast Freezing button

Refrigerator

- Fresh food capacity: 229 litres
- Automatic defrost
- 3 Adjustable glass shelves
- 1 fruit and vegetable container
- 1 covered storage box
- 1 chrome wine rack

Freezer (Four stars)

- Frozen food capacity: 64 litres
- 1 adjustable shelf with ice cube tray

Rear panel material : Flame Retardant Aluminium Foil back

A gap of 175mm must be left on the hinged side of the product to allow the door to open.

NB: This model will automatically replace the FAB30YX once stock is no longer available.

Key to symbols



Versions

- **FAB30RFC** - 60cm 50's Style Refrigerator-Freezer Fanned, Cream RHH
- **FAB30RFW** - 60cm 50's Style Refrigerator-Freezer Fanned, White RHH
- **FAB30LFW** - 60cm 50's Style Refrigerator-Freezer Fanned, White LHH
- **FAB30RFR** - 60cm 50's Style Refrigerator-Freezer Fanned, Red RHH
- **FAB30RFS** - 60cm 50's Style Refrigerator-Freezer Fanned, Silver RHH
- **FAB30RFP** - 60cm 50's Style Refrigerator-Freezer Fanned, Pink RHH
- **FAB30RFA** - 60cm 50's Style Refrigerator-Freezer Fanned, Pastel Blue RHH
- **FAB30RFG** - 60cm 50's Style Refrigerator-Freezer Fanned, Pastel Green RHH
- **FAB30RFO** - 60cm 50's Style Refrigerator-Freezer Fanned, Orange RHH
- **FAB30RFB** - 60cm 50's Style Refrigerator-Freezer Fanned, Blue RHH



- **FAB30RFN** - 60cm 50's Style Refrigerator-Freezer Fanned, Black RHH
- **FAB30RFL** - 60cm 50's Style Refrigerator-Freezer Fanned, Lime Green RHH
- **FAB30LFC** - 60cm 50's Style Refrigerator-Freezer Fanned, Cream LHH
- **FAB30LFR** - 60cm 50's Style Refrigerator-Freezer Fanned, Red LHH
- **FAB30LFS** - 60cm 50's Style Refrigerator-Freezer Fanned, Silver LHH
- **FAB30LFP** - 60cm 50's Style Refrigerator-Freezer Fanned, Pink LHH
- **FAB30LFA** - 60cm 50's Style Refrigerator-Freezer Fanned, Pastel Blue LHH
- **FAB30LFG** - 60cm 50's Style Refrigerator-Freezer Fanned, Pastel Green LHH
- **FAB30LFO** - 60cm 50's Style Refrigerator-Freezer Fanned, Orange LHH
- **FAB30LFN** - 60cm 50's Style Refrigerator-Freezer Fanned, Black LHH

Smeg (UK) Ltd
The Magna Building, Wyndyke Furlong, Abingdon
OX14 1DZ
Tel. +44 (0)844 557 9907
Fax +44 (0)844 557 9337



A++:

Smeg products with A+ or A++ energy rating are highlighted with one of the following Symbols



Fast freezing:

The fast freezing function brings the temperature of the compartment down when activated a few hours prior to usage.



Automatic defrost:

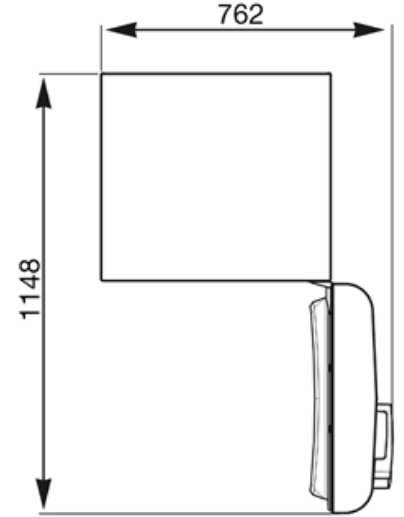
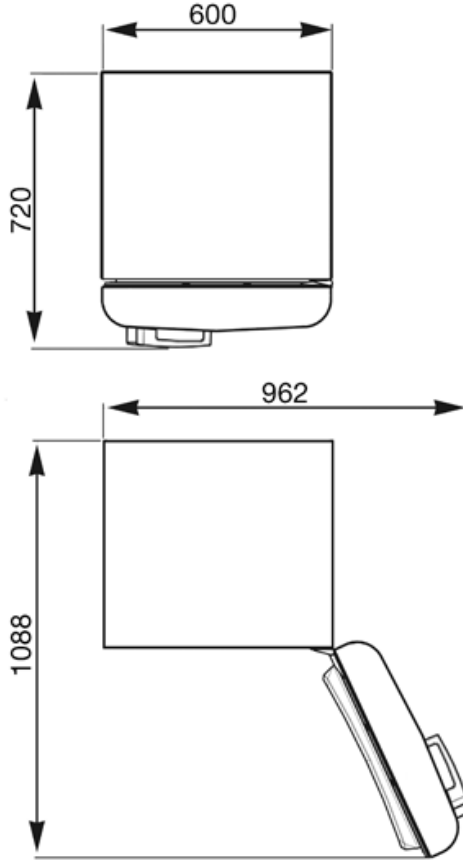
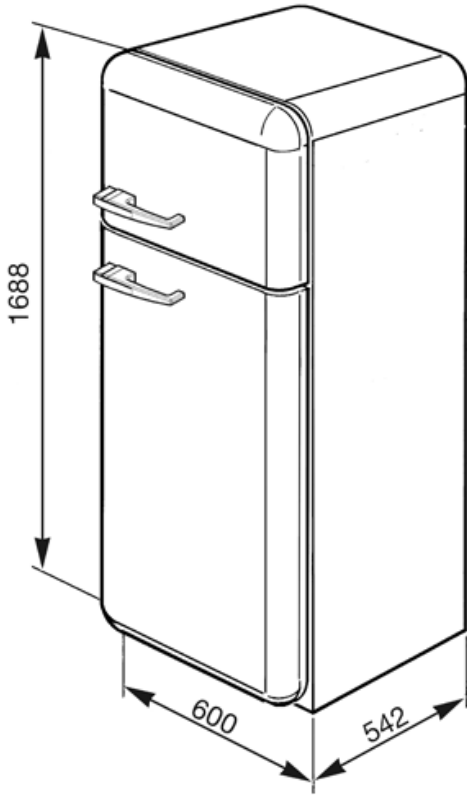
The automatic defrost system works by automatically defrosting the fridge section at regular intervals eradicating the need to defrost altogether.



FAB30LFS

50's Retro style

fridge freezer
free standing
free standing
silver
60 cm
energy rating A++



Smeg (UK) Ltd
The Magna Building, Wyndyke Furlong, Abingdon
OX14 1DZ
Tel. +44 (0)844 557 9907
Fax +44 (0)844 557 9337