

FAB32LNR

50's Retro style

50's Style 'No Frost' Fridge-freezer Red, Left hand hinge
Energy efficiency class A**

EAN13: 8017709174804



- Gross capacity: 328 litres
- 2 Adjustable thermostats
- Noise level: 41 dB (A) RE 1 pW
- Energy consumption: 229 kw/h per year
- Climatic class: SN-T
- Freezing capacity: 10kg/24h
- Thaw time: 18h

Refrigerator

- Fresh food capacity: 229 litres
- Automatic defrost
- 3 Adjustable glass shelves
- 1 Fruit and vegetable container
- 1 Covered storage box
- 1 Chrome wine rack

Freezer (Four stars)

- NO FROST
- Frozen food capacity: 75 litres
- 2 Drawers
- 1 Fast freezing drawer
- Ice cube tray

A gap of 175mm must be left on the hinged side of the product to allow the door to open.



Key to symbols



Versions

- **FAB32LNR** - 60cm 50's Style Refrigerator-Freezer No Frost, Red LHH
- **FAB32LNN** - 60cm 50's Style Refrigerator-Freezer No Frost, Black LHH
- **FAB32LNC** - 60cm 50's Style Refrigerator-Freezer No Frost, Cream LHH
- **FAB32RNC** - 60cm 50's Style Refrigerator-Freezer No Frost, Cream RHH
- **FAB32RNL** - 60cm 50's Style Refrigerator-Freezer No Frost, Lime Green RHH
- **FAB32LNL** - 60cm 50's Style Refrigerator-Freezer No Frost, Lime Green LHH
- **FAB32LNA** - 60cm 50's Style Refrigerator-Freezer No Frost, Pastel Blue LHH
- **FAB32RNA** - 60cm 50's Style Refrigerator-Freezer No Frost, Pastel Blue RHH
- **FAB32RNN** - 60cm 50's Style Refrigerator-Freezer No Frost, Black RHH
- **FAB32RNR** - 60cm 50's Style Refrigerator-Freezer No Frost, Red RHH

- **FAB32RNP** - 60cm 50's Style Refrigerator-Freezer No Frost, Pink RHH
- **FAB32RNG** - 60cm 50's Style Refrigerator-Freezer No Frost, Pastel Green RHH
- **FAB32LNP** - 60cm 50's Style Refrigerator-Freezer No Frost, Pink LHH
- **FAB32LNG** - 60cm 50's Style Refrigerator-Freezer No Frost, Pastel Green LHH

Smeg (UK) Ltd
The Magna Building, Wyndyke Furlong, Abingdon
OX14 1DZ
Tel. +44 (0)844 557 9907
Fax +44 (0)844 557 9337



A++:

Smeg products with A+ or A++ energy rating are highlighted with one of the following Symbols



No Frost:

The No Frost and Frost free systems prevent ice from forming so that no defrosting is required.



Fast freezing:

The fast freezing function brings the temperature of the compartment down when activated a few hours prior to usage.



Automatic defrost:

The automatic defrost system works by automatically defrosting at regular intervals eradicating the need to defrost altogether.



FAB32LNR

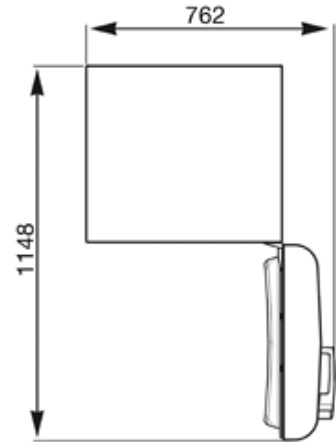
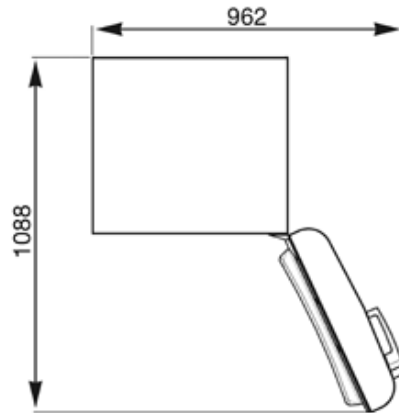
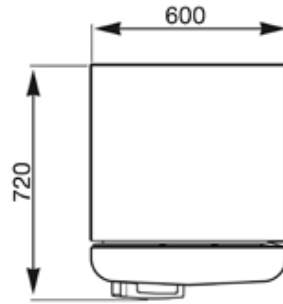
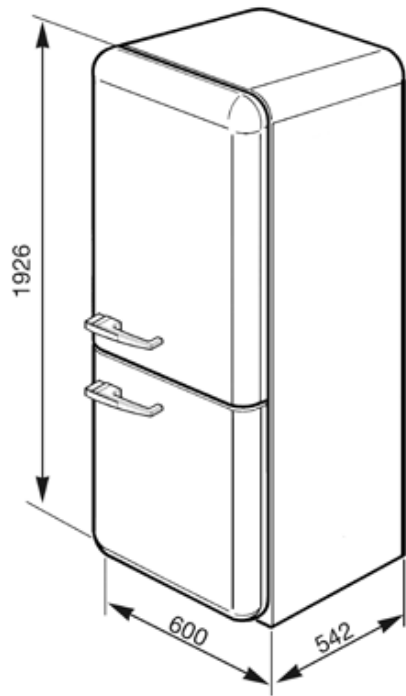
50's Retro style

fridge freezer
free standing
combined

red

60 cm

energy rating A++



Smeg (UK) Ltd
The Magna Building, Wyndyke Furlong, Abingdon
OX14 1DZ
Tel. +44 (0)844 557 9907
Fax +44 (0)844 557 9337