

Serie | 6 Freezers
**Built in/under freezer
GUD15A50GB**

A+

The freezer with 3 transparent freezer drawers and SuperFreezing: freezes new items placed inside even faster.

- **3 transparent freezer drawers:** provide plenty of space and an optimum view.
- **SuperFreezing:** freezes new food placed inside faster, thus protecting already frozen food.
- **Temperature alarm:** alarm when temperature rises in the freezer compartment.
- **2 x cold accumulators, 1 x berry tray, 1 x ice cube tray:** practical accessories, included in the delivery.

Technical Data

Thermometer freeze section :	Analog
Light :	No
Product category :	Upright freezer
Construction type :	Built-in
Door panel options :	Possible but accessory
Frost free system :	No
Height (mm) :	820
Width (mm) :	598
Depth of the product :	548
Net weight (kg) :	35.0
Gross weight (kg) :	38.0
Connection rating (W) :	90
Current (A) :	13
Frequency (Hz) :	50
Approval certificates :	VDE
Length of electrical supply cord (cm) :	230
Door hinge :	Right reversible
Storage Period in Event of Power Failure (h) :	23
Defrost process :	manual
Warning signal / malfunction :	visual and audible
Lockable door :	No
Number of drawers/baskets (Stck) :	3
Number of freezing flaps (Stck) :	0
EAN code :	4242002650890
Brand :	Bosch
Product name / Commercial code :	GUD15A50GB
Product category :	Upright freezer
Energy efficiency :	A+
Energy consumption annual (kWh/annum) - NEW (2010/30/EC) :	184
Freezer Net capacity (l) - NEW (2010/30/EC) :	98
Frost free system :	No
Temperature rise time (h) :	23
Freezing capacity (kg/24h) - NEW (2010/30/EC) :	12
Climate class :	SN-ST
Noise level (dB) :	38
Installation type :	Built-under

Included accessories

- 2 x cold accumulator
- 1 x ice cube tray



4 242002 650890

Serie | 6 Freezers

Built in/under freezer GUD15A50GB

The freezer with 3 transparent freezer drawers and SuperFreezing: freezes new items placed inside even faster.

Performance and Consumption

- Energy efficiency class: A+
- Energy Efficiency Class: A+ kWh/yr: 184
- Total net capacity: 98 litres
- Noise level dB(A) re 1 pW: 38

Design features

- Right hinged door, door reversible
- Mechanical control

Food freshness system

- 1 compressor/1 cooling circuit

Key features - Freezer section

- Manual defrost freezer
- 4 star freezer rating
- 3 freezer drawers
- SuperFreezing function with automatic deactivation
- 1 compressor/1 cooling circuit
- SuperFreezing function with automatic deactivation
- Freezing capacity in 24 hours: 12 kg
- Maximum freezer storage time in power failure: 23 hours

Functions

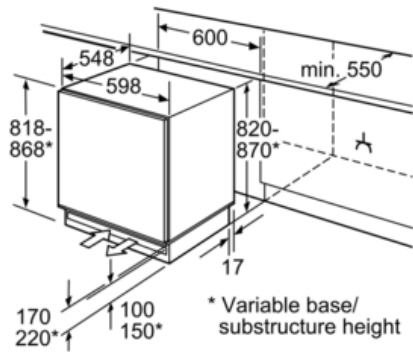
- Acoustic
- Freezer malfunction warning signal: optical, acoustical

Dimension and installation

- Climate class SN-ST (suitable for ambient temperatures between 10 to 38°C)
- Connection value 90 W
- Dimensions: 82 cm H x 59.8 cm W x 54.8 cm D
- Niche Dimensions: 82 cm H x 60 cm W x 55 cm D

Serie | 6 Freezers

Built in/under freezer GUD15A50GB



Space for electrical connection next to the appliance on the left or right-hand side.
Ventilation space in the base.

measurements in mm