

iQ700

Brand Value Class: IQ700

Single oven

HB632GBS1B black, stainless steel



"The oven offers modern baking and roasting convenience for best results."

- ✓ 4D hotAir: flexible choice of shelf.
- ✓ TFT Display: good readability from any perspective.
- ✓ ecoClean Plus: effortless cleaning thanks to a special coating.
- ✓ Energy efficiency class A+: For more efficient roasting and baking.
- ✓ softMove: gentle opening and closing of the oven door.

Features

Technical Data

Color / Material Front : Stainless steel
 Design : Built-in
 Integrated Cleaning system : No
 Required niche size for installation (HxWxD) : 585 x 560 x 550
 Dimensions of the product (mm) : 595 x 594 x 548
 Control Panel Material : Stainless steel
 Door Material : Glass
 Net weight (kg) : 35.0
 Usable volume of cavity (l) : 71
 Heating Types : , 4D hot air, Conventional heat, Deep-frozen food special, Full width grill, Hot Air-Eco, Hot air grilling, Pizza setting
 First cavity material : Enamelled
 Temperature control : electronic
 Number of interior lights : 1
 Approval certificates : CE, VDE
 Length of electrical supply cord (cm) : 120
 EAN code : 4242003672495
 Number of cavities (2010/30/EC) : 1
 Energy efficiency : A+: efficient
 Energy consumption per cycle conventional (2010/30/EC) : 0.87
 Energy consumption per cycle forced air convection (2010/30/EC) : 0.69
 Energy efficiency index (2010/30/EC) : 81.2
 Electrical connection rating (W) : 3600
 Current (A) : 16
 Nominal power (kW) : 220-240
 Frequency (Hz) : 50; 60
 Plug type : no plug

Included accessories



Optional accessories

HZ6BCA0 Cookbook

iQ700

Brand Value Class: IQ700

Single oven

HB632GBS1B black, stainless steel

Features

Design

- Control dial
- Bar handle
- Drop down oven door, softClose, softOpen
- Cavity inner surface: Enamel anthracite

Key features

- EcoClean Direct : back panel
- 2.8" TFT Display
- Drop down oven door, softClose, softOpen
- TFT clearText display
- Digital temperature display with proposal
Actual temperature display
Heating-up indicator
Sabbath setting
- Light on/off when door opened/closed
- Control panel lock
Automatic safety switch off
Residual heat indicator
start button
Door contact switch
- Residual heat indicator
- Control panel lock
- Info button

Features

- Electronic oven clock timer
- Main on/off switch
- Full glass inner door
- 1 interior light
- 1 interior halogen light
- 5 shelf positions in oven
- Pyrolytic proof trayholder and baking tray
- Integral cooling fan

Programmes/functions

- Oven with 8 heating methods:
4D hot air, hotairEco, conventional oven, Conventional heat ECO,
hot air grilling, full width grill, intensive hot air, coolStart
- Fast pre-heating function

Performance/technical information

- Cavity volume: 71 litres
- Stainless-steel fan
- Temperature range 30 °C - 300 °C
- Heat reflective glass
- Energy efficiency rating A+
- Energy efficiency rating (acc. EU Nr. 65/2014):
Number of cavities: 1
Heat source: electrical
Cavity volume: 71 litres
- Length of mains cable: 120 cm
- Total connected load electric: 3.6 KW
- Appliance dimension (hxwxd): 595 mm x 594 mm x 548 mm
- Niche dimension (hxwxd): 585 mm - 595 mm x 560 mm - 568 mm
x 550 mm
- Please reference the built-in dimensions provided in the installation
drawing

Standard accessories

- 2 x combination grid, 1 x universal pan
- Pull out system: Easy fit shelf support rails with electronic link

iQ700

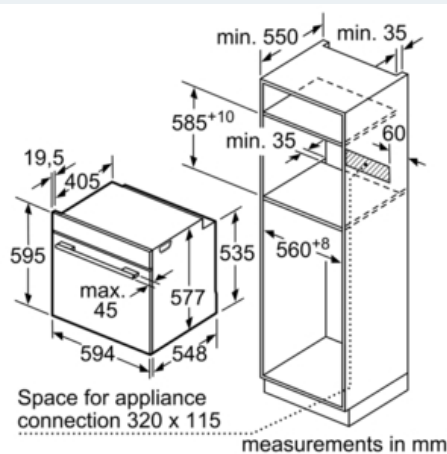
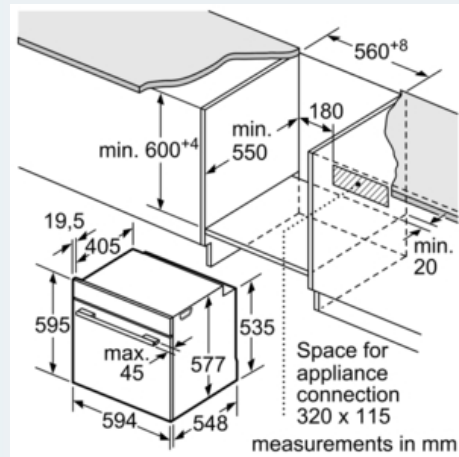
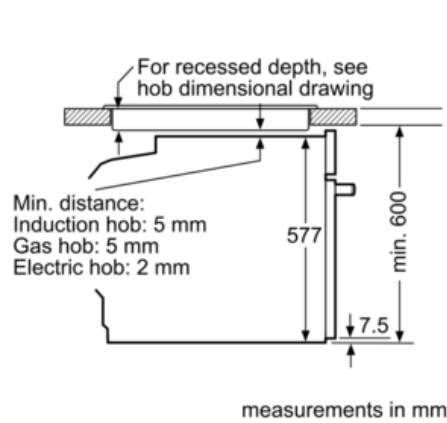
Brand Value Class: IQ700

Single oven

HB632GBS1B black, stainless steel

Dimensioned drawings

Installation with a hob.



If the appliance will be installed underneath a hob, the following worktop thicknesses (including substructure if necessary) must be taken into account.

Hob type	min. worktop thickness	
	fitted	flush
Induction hob	37 mm	38 mm
Full surface induction hob	47 mm	48 mm
Gas hob	30 mm	34 mm
Electric hob	27 mm	30 mm