

Serie | 8 Ovens
**Oven
HBG634BS1B**

A+

The built-in oven: you get perfect baking and roasting results.

- **4D Hot Air:** even heat distribution for perfect results – on any level.
- **TFT display control:** easy-to-use thanks to the control ring with full text and symbols.
- **EcoClean Direct:** almost no cleaning is necessary thanks to a special coating that automatically absorbs grime.
- **Energy efficiency class A+:** Best baking results with lower energy consumption.
- **Flap door with SoftOpen and SoftClose:** the oven door opens and closes especially gently and quietly.

Technical Data

Color / Material Front :	Stainless steel
Construction type :	Built-in
Integrated Cleaning system :	No
Required niche size for installation (HxWxD) :	585 x 560 x 550
Dimensions of the product (mm) :	595 x 594 x 548
Control Panel Material :	Stainless steel
Door Material :	Glass
Net weight (kg) :	34.0
Usable volume of cavity (l) :	71
Cooking method :	, 4D hot air, Bottom heat, Conventional heat, Defrost, Full width grill, Half width grill, Hot Air-Eco, Hot air grilling, low temperature cooking, Pizza setting, pre-heating, warming
First cavity material :	Enamelled
Temperature control :	electronic
Number of interior lights :	1
Approval certificates :	CE, VDE
Length of electrical supply cord (cm) :	120
EAN code :	4242002808536
Number of cavities (2010/30/EC) :	1
Energy efficiency :	A+
Energy consumption per cycle conventional (2010/30/EC) :	0.87
Energy consumption per cycle forced air convection (2010/30/EC) :	0.69
Energy efficiency index (2010/30/EC) :	81.2
Electrical connection rating (W) :	3600
Current (A) :	16
Voltage (V) :	220-240
Frequency (Hz) :	60; 50
Plug type :	no plug

Included accessories

2 x combination grid
1 x universal pan


Optional accessories

HEZ6BCA0 : Cookbook

Serie | 8 Ovens

Oven

HBG634BS1B

The built-in oven: you get perfect baking and roasting results.

Key Information

- 2.5"-TFT colour and text display with direct select buttons
- Drop down door, SoftClose, SoftOpen
- Digital temperature display with proposal
 - Actual temperature display
 - Heating-up indicator
 - Sabbath setting
- EcoClean Direct : back panel

Design

- Stainless steel control wheel
- Straight bar handle

Features

- Electronic clock timer
- Main on/off switch
- 1 interior light
- Halogen interior light
- Light on/off when oven door opened/closed
- Control panel lock
 - Automatic safety switch off
 - Residual heat indicator
 - Start button
 - Door contact switch
- Cavity inner surface: Enamel anthracite
- 5 shelf positions
- Full glass inner door
- Info button

Programmes/functions

- Oven with 13 heating methods: 4D Hotair, Hotair Eco, conventional top and bottom heat, conventional heat Eco, Hotair grilling, full width variable grill, half width grill, pizza function, bottom heat, low temperature cooking, defrost, plate warming, keep warm
- Fast heat

Performance/technical information

- Temperature range 30 °C - 300 °C
- Cavity volume: 71 litre capacity
- Integral cooling fan
- Stainless-steel fan
- Length of mains cable: 120 cm
- Total connected load electric: 3.6 KW
- Appliance dimension (hxwxh): 595 mm x 594 mm x 548 mm
- Niche dimension (hxwxh): 585 mm - 595 mm x 560 mm - 568 mm x 550 mm
- Please reference the built-in dimensions provided in the installation drawing
- Maximum window temperature 40° C
- Energy efficiency rating (acc. EU Nr. 65/2014):
 - Energy consumption per cycle in conventional mode: 81.2
 - Energy consumption per cycle in fan-forced convection mode: 0.69 kwh
 - Number of cavities: 1
 - Heat source: electrical
 - Cavity volume: 71 litre capacity

Standard accessories

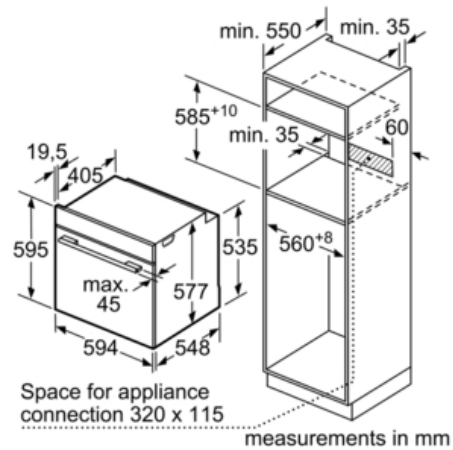
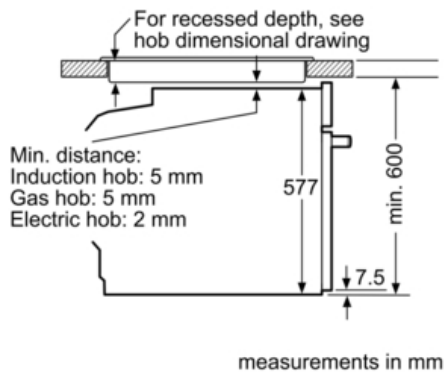
- Pull out system: Available as an additional accessory
- 2 x combination grid, 1 x universal pan

Serie | 8 Ovens

Oven

HBG634BS1B

Installation with a hob.



If the appliance will be installed underneath a hob, the following worktop thicknesses (including substructure if necessary) must be taken into account.

Hob type	min. worktop thickness	
	fitted	flush
Induction hob	37 mm	38 mm
Full surface induction hob	47 mm	48 mm
Gas hob	30 mm	34 mm
Electric hob	27 mm	30 mm

