

**Serie | 8 Ovens**
**Oven  
HBG6764B6B**


- **PerfectBake Sensor and PerfectRoast thermometer:** the easy way to perfect baking and roasting results.
- **4D Hot Air:** even heat distribution for perfect results – on any level.
- **BoschAssist:** automatic setting of the optimal type of heat, temperature and time for countless dishes.
- **TFT touchscreen control:** easy-to-use thanks to the control ring with full text and images.
- **Home Connect:** home appliances with smart connectivity for an easier everyday life.

**Technical Data**

Color / Material Front :	Black
Construction type :	Built-in
Integrated Cleaning system :	Pyrolytic
Required niche size for installation (HxWxD) :	585 x 560 x 550
Dimensions of the product (mm) :	595 x 594 x 548
Control Panel Material :	Glass
Door Material :	Glass
Net weight (kg) :	39.0
Usable volume of cavity (l) :	71
Cooking method :	, 4D hot air, Bottom heat, Conventional heat, Defrost, Full width grill, Half width grill, Hot Air-Eco, Hot air grilling, low temperature cooking, Pizza setting, pre-heating, warming
First cavity material :	Enamelled
Temperature control :	electronic
Number of interior lights :	1
Approval certificates :	CE, VDE
Length of electrical supply cord (cm) :	120
EAN code :	4242002932507
Number of cavities (2010/30/EC) :	1
Energy efficiency :	A+
Energy consumption per cycle conventional (2010/30/EC) :	0.87
Energy consumption per cycle forced air convection (2010/30/EC) :	0.69
Energy efficiency index (2010/30/EC) :	81.2
Electrical connection rating (W) :	3600
Current (A) :	16
Voltage (V) :	220-240
Frequency (Hz) :	50; 60
Plug type :	no plug

**Included accessories**

- 1 x combination grid
- 1 x universal pan


**Optional accessories**

- HEZ6ECF0 : Cookbook

## Serie | 8 Ovens

### Oven

#### HBG6764B6B

##### Key Information

- 3x 2,5"-TFT colour and graphics display with direct touch function
- Drop down door, SoftClose, SoftOpen
- Digital temperature display with proposal  
Actual temperature display  
Heating-up indicator  
Sabbath setting
- BoschAssist
- Pyrolytic self-cleaning function
- PerfectBake sensor  
PerfectRoast meatprobe

##### Design

- Stainless steel control wheel
- Straight bar handle

##### Features

- Electronic clock timer
- Main on/off switch
- 1 interior light
- Halogen interior light
- Light on/off when oven door opened/closed
- Control panel lock  
Automatic safety switch off  
Residual heat indicator  
Start button  
Door contact switch
- Cavity inner surface: Enamel anthracite
- Smooth enamelled oven interior
- 5 shelf positions
- Full glass inner door
- 
- Info button

##### Programmes/functions

- Oven with 13 heating methods: 4D Hotair, Hotair Eco, conventional top and bottom heat, conventional heat Eco, Hotair grilling, full width variable grill, half width grill, pizza function, bottom heat, low temperature cooking, defrost, plate warming, keep warm
- Fast heat

##### Performance/technical information

- Cavity volume: 71 litre capacity
- Integral cooling fan
- Stainless-steel fan
- Length of mains cable: 120 cm
- Total connected load electric: 3.6 KW
- Appliance dimension (hxwxh): 595 mm x 594 mm x 548 mm
- Niche dimension (hxwxh): 585 mm - 595 mm x 560 mm - 568 mm x 550 mm
- Please reference the built-in dimensions provided in the installation drawing
- Maximum window temperature 30° C
- Energy efficiency rating (acc. EU Nr. 65/2014):  
Energy consumption per cycle in conventional mode: 81.2  
Energy consumption per cycle in fan-forced convection mode: 0.69 kwh  
Number of cavities: 1  
Heat source: electrical  
Cavity volume: 71 litre capacity

##### Standard accessories

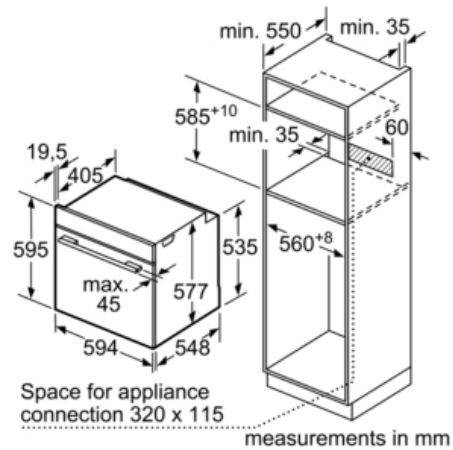
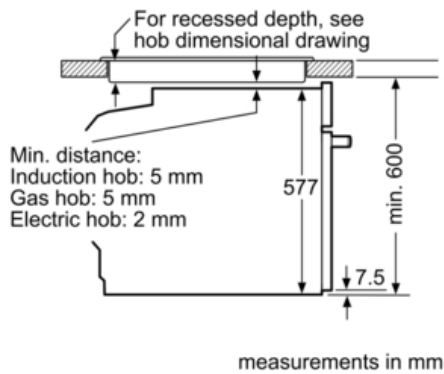
- Pull out system: 1 level telescopic shelf, full extension, Stop function
- 1 x combination grid, 1 x universal pan

## Serie | 8 Ovens

### Oven

#### HBG6764B6B

Installation with a hob.



If the appliance will be installed underneath a hob, the following worktop thicknesses (including substructure if necessary) must be taken into account.

Hob type	min. worktop thickness	
	fitted	flush
Induction hob	37 mm	38 mm
Full surface induction hob	47 mm	48 mm
Gas hob	30 mm	34 mm
Electric hob	27 mm	30 mm

