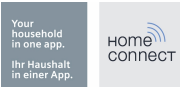


iQ700

Brand Value Class: IQ700

Oven with microwave

HM678G4S6B



The oven with a built-in microwave and sensors for quick, perfect combination cooking.

- ✓ varioSpeed: reduce cooking times by up to 50%.
- ✓ TFT Touchdisplay Plus: clear text display and intuitive operation.
- ✓ roastingSensor and bakingSensor: detect the exact moment when your food is done.
- ✓ activeClean: the automatic system for effortless cleaning.
- ✓ Connect: Access and control your oven, no matter where you are - with the easy-to-use Home Connect App

Features

Technical Data

Type of micro-wave oven : MW-Combi
 Control panel : Electronic
 Color / Material Front : Stainless steel
 Dimensions of the product (mm) : 595 x 594 x 548
 Cavity dimensions (mm) : 357.0 x 480 x 392.0
 Length of electrical supply cord (cm) : 120
 Net weight (kg) : 47.0
 Gross weight (kg) : 50.0
 EAN code : 4242003769430
 Max. microwave power (W) : 800
 Connection rating (W) : 3600
 Current (A) : 16
 Nominal power (kW) : 220-240
 Frequency (Hz) : 50; 60
 Plug type : no plug

Included accessories

2 x combination grid
 1 x universal pan



Optional accessories

HZ6PCF0 Cookbook

iQ700

Brand Value Class: IQ700

Oven with microwave

HM678G4S6B

Features

Design

- Stainless steel control dial
- Bar handle
- Drop down oven door, softClose, softOpen
- Cavity inner surface: Enamel anthracite

Key features

- activeClean cleaning
- bakingSensor
roastingSensor Plus
- 5.7" TFT touchDisplay Plus
- Drop down oven door, softClose, softOpen
- TFT clearText display
- Digital temperature display with proposal
Actual temperature display
Heating-up indicator
Sabbath setting
- Light on/off when door opened/closed
- Electronic door lock
Control panel lock
Automatic safety switch off
Residual heat indicator
start button
Door contact switch
- Residual heat indicator
- Control panel lock

Features

- Electronic oven clock timer
- Main on/off switch
- Microwave top door
- 3 interior lights
- Multilevel LED illumination, LED illumination
- Smooth enamelled oven interior
- 5 shelf positions in oven
- Integral cooling fan

Programmes/functions

- Oven with microwave with 15 heating methods:
4D hot air, hotairEco, conventional oven, Conventional heat
ECO, hot air grilling, full width grill, half width grill, intensive
hot air, coolStart, bottom heat, intensive conventional heat, low
temperature cooking, keep warm, dehydrate, plate warming
- Additional heating methods with steam:
- Additional heating methods with microwave: Microwave, Combi
microwave variable
- Fast pre-heating function
- cookControl Plus

Performance/technical information

- 67 litres
- Temperature range 30 °C - 300 °C
- Maximum door temperature 30 °C
- Energy efficiency rating (acc. EU Nr. 65/2014):
Number of cavities: 1
Heat source: electrical
Cavity volume: 67 litres
- Max. Power: 800 W; 5 Microwave power settings (90 W,180 W,360
W,600 W,800 W) with Inverter (MW)
- Length of mains cable: 120 cm
- Total connected load electric: 3.6 KW
- Appliance dimension (hxwxh): 595 mm x 594 mm x 548 mm
- Niche dimension (hxwxh): 585 mm - 595 mm x 560 mm - 568 mm
x 550 mm
- Please reference the built-in dimensions provided in the installation
drawing

Standard accessories

- 2 x combination grid, 1 x universal pan
- Pull out system: 1 level telescopic shelf, standard extension

iQ700

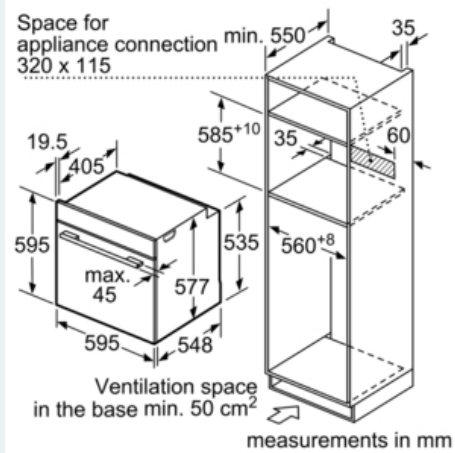
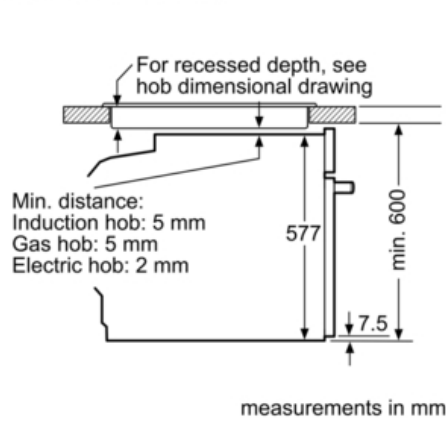
Brand Value Class: IQ700

Oven with microwave

HM678G4S6B

Dimensioned drawings

Installation with a hob.



If the appliance will be installed underneath a hob, the following worktop thicknesses (including substructure if necessary) must be taken into account.

Hob type	min. worktop thickness	
	fitted	flush
Induction hob	37 mm	38 mm
Full surface induction hob	47 mm	48 mm
Gas hob	30 mm	34 mm
Electric hob	27 mm	30 mm

