

## Serie | 2 Fridge-Freezer-Combination

### Built-in fridge-freezer KIV32X23GB


**A+**

### The bottom freezer with MultiBox: lots of space for your fruits and vegetables.

- **MultiBoxes with rippled base:** protects fruits and vegetables from condensation.
- **3 transparent freezer drawers:** provide plenty of space and an optimum view.
- **Extra deep door trays:** extra room for large bottles and containers.
- **SafetyGlass:** very stable shelves made of easy-to-clean glass.

#### Technical Data

Construction type :	Built-in
Door panel options :	Not possible
Height (mm) :	1772
Width (mm) :	541
Depth of the product :	545
Required niche size for installation (HxWxD) :	1775.0 x 562.0 x 550
Net weight (kg) :	55.0
Connection rating (W) :	120
Current (A) :	13
Door hinge :	Right reversible
Voltage (V) :	220-240
Frequency (Hz) :	50
Approval certificates :	VDE
Length of electrical supply cord (cm) :	230
Storage Period in Event of Power Failure (h) :	16
Number of compressors :	1
Number of independent cooling systems :	1
Interior ventilator :	No
Reversible Door Hinge :	Yes
Number of Adjustable Shelves in fridge compartment (Stck) :	2
Shelves for Bottles :	No
EAN code :	4242002877945
Brand :	Bosch
Product name / Commercial code :	KIV32X23GB
Energy efficiency :	A+
Energy consumption annual (kWh/annum) - NEW (2010/30/EC) :	283
Refrigerator Net capacity (l) - NEW (2010/30/EC) :	162
Freezer Net capacity (l) - NEW (2010/30/EC) :	93
Frost free system :	No
Temperature rise time (h) :	16
Freezing capacity (kg/24h) - NEW (2010/30/EC) :	6
Climate class :	SN-ST
Noise level (dB) :	40
Installation type :	Integrated

#### Included accessories

1 x butter dish



4 242002 877945

## Serie | 2 Fridge-Freezer-Combination

### Built-in fridge-freezer KIV32X23GB

**The bottom freezer with MultiBox: lots of space for your fruits and vegetables.**

---

#### Performance and Consumption

- Energy efficiency class: A+
- Energy Efficiency Class: A+ kWh/yr: 0.773 kwh
- Total net capacity: 255 litres
- Net fridge capacity: 162 litres
- Net freezer capacity: 93 litres
- Noise level dB(A) re 1 pW: 40

#### Design features

- Manual defrost freezer
- Sliding hinge
- Right hinged door, door reversible
- LED electronic control
- Removable magnetic door seals - easy to clean

#### Food freshness system

- 1 MultiBox - Transparent drawer with a rippled bottom, ideal for storing fruits and vegetables.
- Constant temperature control by intelligent sensor technology
- LED electronic control
- 1 compressor

#### Key features - Fridge section

- Automatic defrost fridge
- Interior fridge light (1x 25 Watt)
- 3 safety glass shelves in fridge compartment of which 2 are height adjustable

#### Key features - Freezer section

- Manual defrost freezer
- 4 star freezer rating
- 4 freezer drawers
- Freezing capacity in 24 hours: 6 kg
- Maximum freezer storage time in power failure: 16 hours

#### Functions

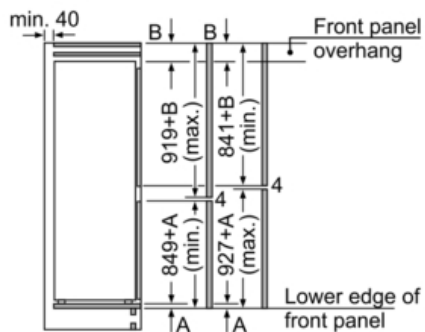
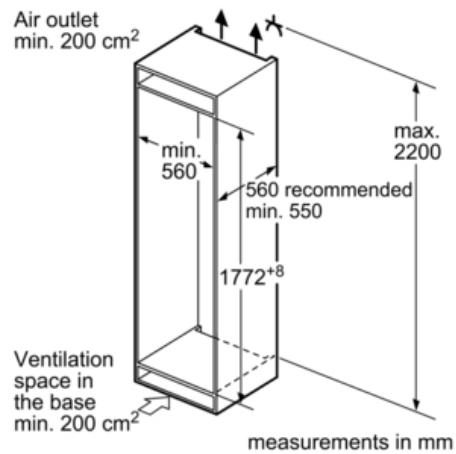
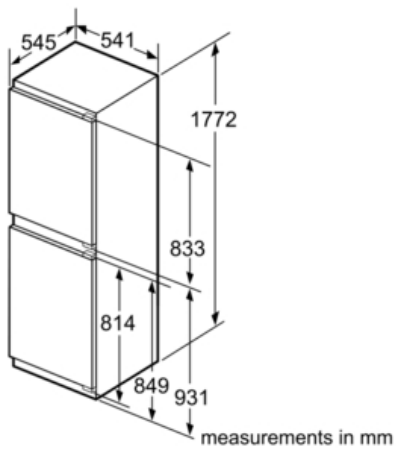
- without

#### Dimension and installation

- Connection value 120 W
- Dimensions: 177.2 cm H x 54.1 cm W x 54.5 cm D
- Niche Dimensions: 177.5 cm H x 56.2 cm W x 55 cm D
- Climate class SN-ST (suitable for ambient temperatures between 10 to 38°C)

## Serie | 2 Fridge-Freezer-Combination

### Built-in fridge-freezer KIV32X23GB



The specified unit door dimensions are valid for a door gap of 4 mm.

measurements in mm