

Serie | 2 Fridge-Freezer-Combination

Built-in fridge-freezer KIV38X22GB


A⁺

The bottom freezer with MultiBox: lots of space for your fruits and vegetables.

- **MultiBoxes with rippled base:** protects fruits and vegetables from condensation.
- **3 transparent freezer drawers:** provide plenty of space and an optimum view.
- **Extra deep door trays:** extra room for large bottles and containers.
- **SafetyGlass:** very stable shelves made of easy-to-clean glass.

Technical Data

Construction type :	Built-in
Door panel options :	Not possible
Height (mm) :	1772
Width (mm) :	541
Depth of the product :	545
Required niche size for installation (HxWxD) :	1775.0 x 562.0 x 550
Net weight (kg) :	57.0
Connection rating (W) :	90
Current (A) :	13
Door hinge :	Right reversible
Voltage (V) :	220-240
Frequency (Hz) :	50
Approval certificates :	VDE
Length of electrical supply cord (cm) :	230
Storage Period in Event of Power Failure (h) :	13
Number of compressors :	1
Number of independent cooling systems :	1
Interior ventilator :	No
Reversible Door Hinge :	Yes
Number of Adjustable Shelves in fridge compartment (Stck) :	4
Shelves for Bottles :	No
EAN code :	4242002763200
Brand :	Bosch
Product name / Commercial code :	KIV38X22GB
Energy efficiency :	A+
Energy consumption annual (kWh/annum) - NEW (2010/30/EC) :	275
Refrigerator Net capacity (l) - NEW (2010/30/EC) :	217
Freezer Net capacity (l) - NEW (2010/30/EC) :	59
Frost free system :	No
Temperature rise time (h) :	13
Freezing capacity (kg/24h) - NEW (2010/30/EC) :	6
Climate class :	SN-ST
Noise level (dB) :	40
Installation type :	Integrated

Included accessories

1 x butter dish



4 242002 763200

Serie | 2 Fridge-Freezer-Combination

Built-in fridge-freezer KIV38X22GB

The bottom freezer with MultiBox: lots of space for your fruits and vegetables.

Performance and Consumption

- Energy efficiency class: A+
- Energy Efficiency Class: A+ kWh/yr: 0.752 kwh
- Total net capacity: 276 litres
- Net fridge capacity: 217 litres
- Net freezer capacity: 59 litres
- Noise level dB(A) re 1 pW: 40

Design features

- Sliding hinge
- Right hinged door, door reversible
- LED electronic control
- Removable magnetic door seals - easy to clean

Food freshness system

- 1 compressor

Key features - Fridge section

- Automatic defrost fridge
- 5 safety glass shelves in fridge compartment of which 4 are height adjustable
- 1 MultiBox - Transparent drawer with a rippled bottom, ideal for storing fruits and vegetables.

Key features - Freezer section

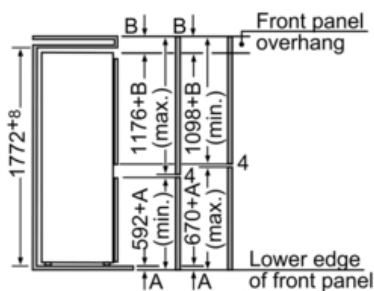
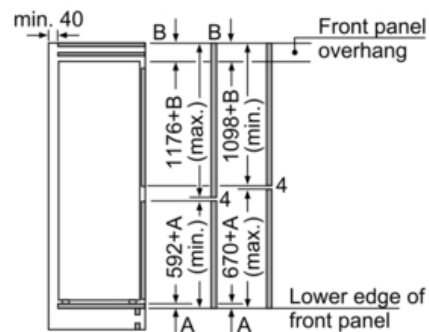
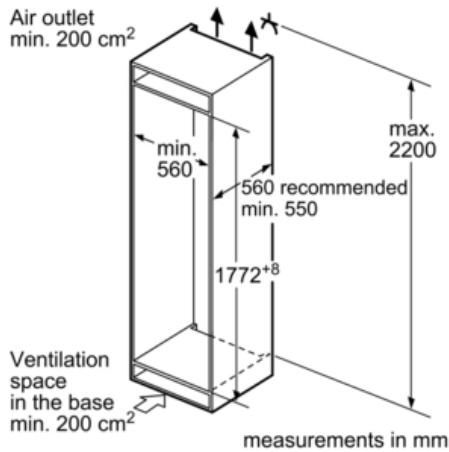
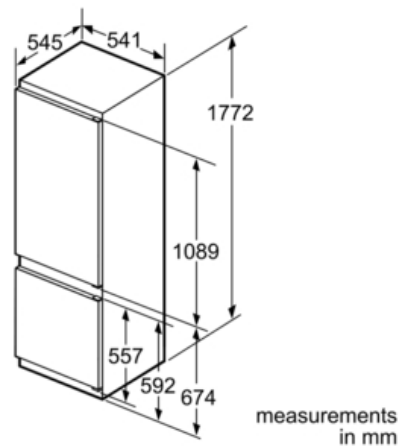
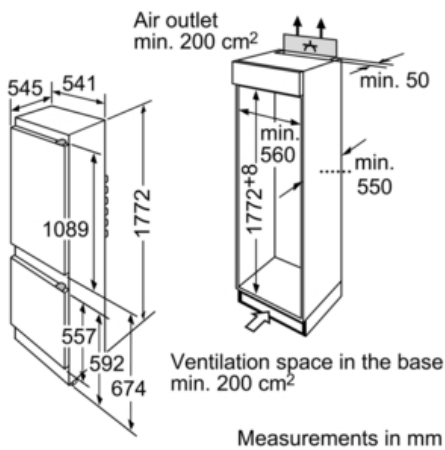
- Manual defrost freezer
- 3 freezer drawers
- 4 star freezer rating
- Calendar frozen food
- Freezing capacity in 24 hours: 6 kg
- Maximum freezer storage time in power failure: 13 hours

Dimension and installation

- Climate class SN-ST (suitable for ambient temperatures between 10 to 38°C)
- Connection value 90 W
- Dimensions: 177.2 cm H x 54.1 cm W x 54.5 cm D
- Niche Dimensions: 177.5 cm H x 56.2 cm W x 55 cm D

Serie | 2 Fridge-Freezer-Combination

Built-in fridge-freezer KIV38X22GB



The specified unit door dimensions are valid for a door gap of 4 mm. If a different gap width is used (max. 14 mm), the dimensions must be adjusted.

Measurements in mm