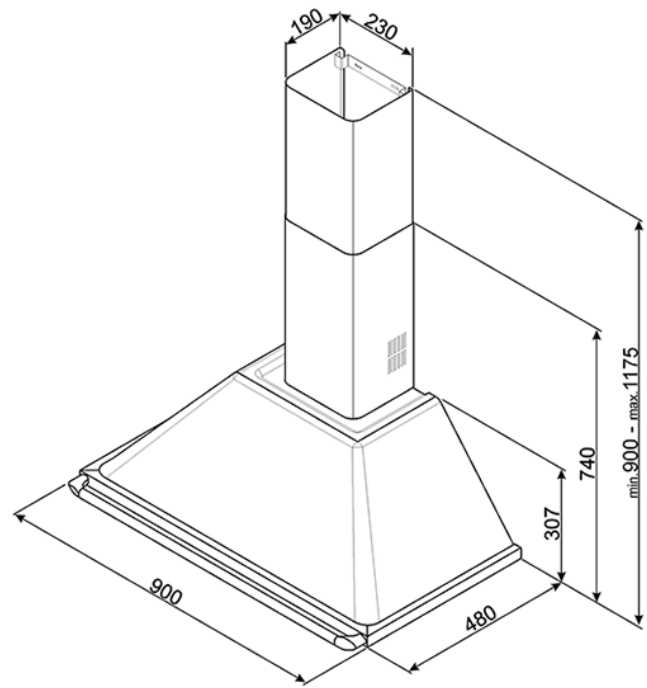


90cm Chimney Hood, Cream  
 EAN13: 8017709211677



- Energy rating: A • 1 x motor, 275W • 3 Speeds + Intensive speed • 2 x 2W LED lights • 3 Aluminum grease filter • Internal re-circulation possible • Non return valve • Vent outlet Ø 150 mm • Nominal power: 278 W • Minimum clearance required when installing this hood above: • Electric hobs: 650mm / Gas hobs: 750mm •

Speed	I	II	III	Int
Extraction Rate IEC 61591	334	439	567	788
Noise Level dB(A) IEC 60704-2-13	49	57	61	69

## Functions



## Options

- FLT6 - Charcoal filter • SP150 - Simple ducting kit (150mm wide) • SP150FLAT - Comprehensive ducting kit (150mm wide)

## Versions

- KT90PE - 90cm Victoria Chimney Hood, Cream • KT90BLE - 90cm Victoria Chimney Hood, Black • KT90BE - 90cm Victoria Chimney Hood, White • KTR90XE - 90cm Victoria Chimney Hood, Stainless Steel