

iQ500

Brand Value Class: IQ500

Built-under double oven
NB535ABS0B black



B



Shorten your cooking time thanks to fast preheat.

- ✓ fast preheat: reach the required cooking temperature sooner.
- ✓ 3D hotAir: perfect baking results on up to 3 shelves thanks to innovative heat distribution.
- ✓ lightControl: intuitive operation thanks to the illuminated dial.
- ✓ ecoClean Plus: effortless cleaning thanks to a special coating inside the oven that automatically disintegrates dirt and reduces odours significantly.

Features

Technical Data

Color / Material Front : Stainless steel
 Design : Built-in
 Integrated Cleaning system : No
 Dimensions of the product (mm) : 717 x 594 x 550
 Dimensions of the packed product (HxWxD) (mm) : 790 x 690 x 660
 Control Panel Material : Glass
 Door Material : Glass
 Net weight (kg) : 47.712
 Usable volume of cavity (l) : 47
 Heating Types : Conventional heat, Full width grill, Hot Air, Hotair gentle, Hot air grilling
 Temperature control : No control of the temperature
 Number of interior lights : 1
 Approval certificates : CE, VDE
 EAN code : 4242003803264
 Energy efficiency : A
 Energy consumption per cycle conventional (2010/30/EC) : 0.84
 Energy consumption per cycle forced air convection (2010/30/EC) : 0.71
 Energy efficiency class (2010/30/EC) - cavity 2 : B
 Energy consumption per cycle conventional - cavity 2 (2010/30/EC) : 0.83
 Energy efficiency index (2010/30/EC) : 94.7
 Energy efficiency index cavity 2 (2010/30/EC) : 120.3
 Electrical connection rating (W) : 5600
 Current (A) : 25
 Nominal power (kW) : 220-240
 Frequency (Hz) : 50
 Plug type : fixed connection, no plug

Included accessories

2 x combination grid
 1 x universal pan

Optional accessories

HZ634000 Baking and roasting grid (standard)



iQ500

Brand Value Class: IQ500

Built-under double oven

NB535ABS0B black

Features

Design

- White display with blue indicator lights
- Bar handle
- lightControl: intuitive operation thanks to the illuminated dials
- Stainless steel control dial

Main Lower oven

- Oven capacity: 47 litre
- 1 interior halogen light
- Smooth enamelled oven interior, Removable wire shelf support rails
- Heating-up indicator
- Cavity with shelf support rails

Cleaning

- EcoClean Direct :side liners, back panel, ceiling
- EcoClean Direct : back panel
- Full glass inner door

Programmes/functions

- Oven with 5 heating methods: 3D hot air, conventional top & bottom heating, hot air grilling, full width grill, Hotair gentle
- fast preheat function

Secondary top oven

- Cavity volume: 34 l
- Smooth enamelled oven interior, Removable wire shelf support rails
- 1 interior halogen light

Cleaning

- EcoClean Direct :side liners, back panel, ceiling
- Full glass inner door

Programmes/functions

- Oven with 4 heating methods: conventional oven, Large-area grill, Small area grill, bottom heat

Accessories

- 2 x combination grid, 1 x universal pan
- Cavity with shelf support rails

Performance/technical information

- Nominal voltage: 220 - 240 V
- Appliance dimension (hxwxd): 717 mm x 594 mm x 550 mm
- Please refer to the dimensions provided in the installation manual
- Energy efficiency rating (acc. EU Nr. 65/2014): B (at a range of energy efficiency classes from A+++ to D)
- Energy consumption per cycle in conventional mode: 0.84 kwh
- Energy consumption per cycle in fan-forced convection mode: 0.71 kwh
- Number of cavities: 2
- Heat source: electrical

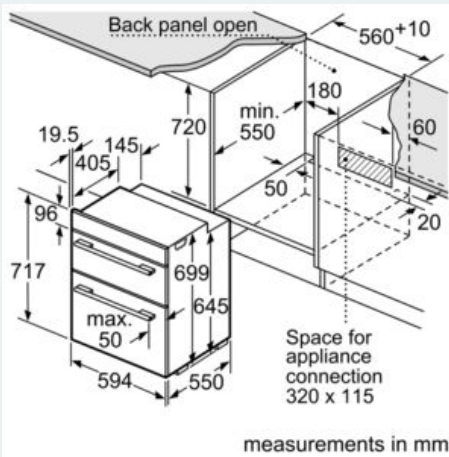
iQ500

Brand Value Class: IQ500

Built-under double oven

NB535ABS0B black

Dimensioned drawings



If the appliance will be installed underneath a hob, the following worktop thicknesses (including substructure if necessary) must be taken into account.

Hob type	min. worktop thickness	
	fitted	flush
Induction hob	39 mm	40 mm
Full surface induction hob	49 mm	50 mm
Gas hob	29 mm	36 mm
Electric hob	29 mm	32 mm