

**Serie | 4**
**NBS533BS0B brushed steel  
Built-under double oven**

**Included accessories**

2 x combination grid  
1 x universal pan  
2 x Universal pan  
slim size

**Optional accessories**

HEZ634000 : Baking and roasting grid (standard)

**The built-in double compact oven with 3D hot air: achieve perfect baking and roasting results on multiple levels simultaneously.**
**B**

- **3D Hotair:** perfect results thanks to optimal distribution of heat on up to 3 levels simultaneously.
- **LED display control, red:** easy-to-use thanks to the time functions.
- **EcoClean Direct:** almost no cleaning is necessary thanks to a special coating of the rear wall that automatically absorbs grime.
- **Slim Universal Pans:** 2 universal pans, slim size; optimised for smaller dishes

**Technical Data**

Color / Material Front :	Stainless steel
Construction type :	Built-in
Integrated Cleaning system :	No
Dimensions of the product (mm) :	717 x 594 x 550
Dimensions of the packed product (HxWxD) (mm) :	790 x 695 x 660
Control Panel Material :	Stainless steel
Door Material :	Glass
Net weight (kg) :	48.718
Usable volume of cavity (l) :	47
Cooking method :	Conventional
heat, Full width grill, Hot Air, Hotair gentle, Hot air grilling	
Temperature control :	No control of the temperature
Number of interior lights :	1
Approval certificates :	CE, VDE
EAN code :	4242005034628
Energy efficiency :	A
Energy consumption per cycle conventional (2010/30/EC) :	0.84
Energy consumption per cycle forced air convection (2010/30/EC) :	0.71
Energy efficiency class (2010/30/EC) - cavity 2 :	B
Energy consumption per cycle conventional - cavity 2 (2010/30/EC) :	0.83
Energy efficiency index (2010/30/EC) :	94.7
Energy efficiency index cavity 2 (2010/30/EC) :	120.3
Electrical connection rating (W) :	5300
Current (A) :	25
Voltage (V) :	220-240
Frequency (Hz) :	50
Plug type :	fixed connection, no plug



4 242005 034628

## Serie | 4 Double Oven

### NBS533BS0B brushed steel

#### Built-under double oven

**The built-in double compact oven with 3D hot air: achieve perfect baking and roasting results on multiple levels simultaneously.**

#### Design

- LED-Display Control (Red)
- Straight bar handle
- Retractable control dials, Rotary dial

#### Main Lower oven

- Cavity volume: 47 litre capacity
- Smooth enamelled oven interior, Removable wire shelf support rails
- Halogen interior light

#### Cleaning

- EcoClean Direct : back panel
- Full glass inner door

#### Programmes/functions

- Oven with 5 heating methods: 3D hot air, conventional top and bottom heat, Hotair grilling, full width variable grill, Hotair gentle
- Fast pre-heating function

#### Secondary top oven

- Cavity volume: 34 litre capacity
- Smooth enamelled oven interior, Removable wire shelf support rails
- Halogen interior light

#### Programmes/functions

- Oven with 3 heating methods: conventional top/bottom heat, Large-area grill, Small area grill

#### Cleaning

- Full glass inner door

#### Accessories

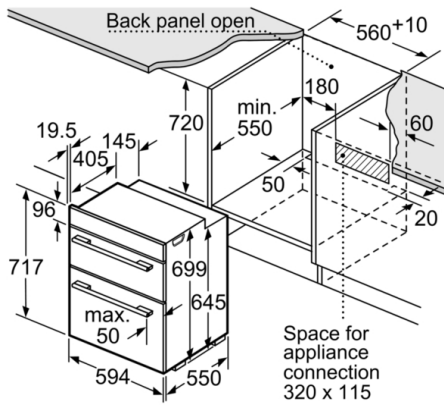
- 2 x combination grid, 1 x universal pan, 2 x Universal pan, slim size

#### Performance/technical information

- Energy efficiency rating (acc. EU Nr. 65/2014): A  
Energy consumption per cycle in conventional mode: 0.84 kwh  
Energy consumption per cycle in fan-forced convection mode: 0.71 kwh  
Number of cavities: Main cavity  
Heat source: electrical  
Cavity volume: 47 litre capacity
- Energy efficiency rating (acc. EU Nr. 65/2014): B  
Energy consumption per cycle conventional mode: 0.83 kwh  
Number of cavities: Top Cavity  
Heat source: electrical  
Cavity volume: 34 litre capacity
- Nominal voltage: 220 - 240 V
- Appliance dimension (hwxwd): 717 mm x 594 mm x 550 mm
- Please refer to the dimensions provided in the installation manual

## Serie | 4 Double Oven

### NBS533BS0B brushed steel Built-under double oven



measurements in mm

If the appliance will be installed underneath a hob, the following worktop thicknesses (including substructure if necessary) must be taken into account.

Hob type	min. worktop thickness	
	fitted	flush
Induction hob	39 mm	40 mm
Full surface induction hob	49 mm	50 mm
Gas hob	29 mm	36 mm
Electric hob	29 mm	32 mm