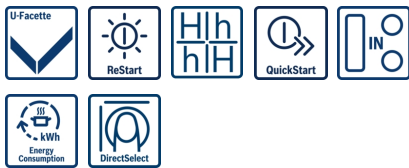
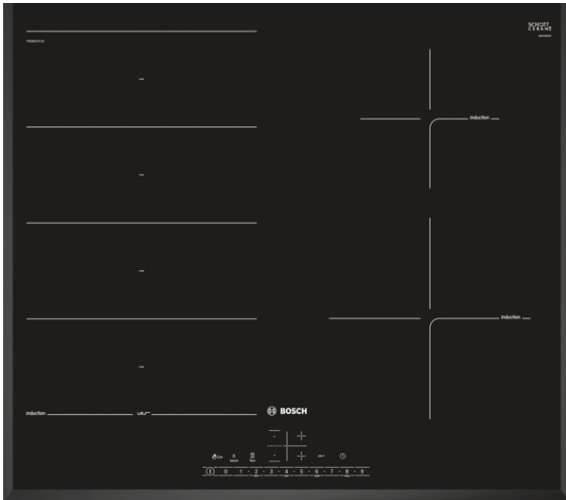


**Serie | 6 Hobs**
**PXE651FC1E Induction Hob**  
**Three sided bevelled**  
**frameless finish**  
**592 mm**

**The induction hob with PerfectFry: achieve perfect frying results thanks to automatic temperature control.**

- **DirectSelect:** Direct, simple selection of the desired cooking zone, power and additional functions.
- **PerfectFry:** For perfect browning of roasted foods thanks to sensor control with 4 power levels.
- **FlexInduction Zone:** Get more flexibility by combining the cooking zones into one big zone for placing small pots and large cookware.
- **U-Bevel:** Elegant, appealing design with bevelled front and sides.
- **Timer with switch-off function:** Turns off the assigned cooking zone after the set time.
- **Induction:** Fast, precise cooking, easy cleaning and low energy consumption.
- **PowerBoost:** Up to 50% more power for faster heating.

**Technical Data**

Product name/family :	Cooking zone ceramic
Installation type :	Built-in
Heating type :	Electric hob
Total number of positions that can be used at the same time :	4
Required niche size for installation (HxWxD) :	51 x 560-560 x 490-500
Width (mm) :	592
Dimensions of the product (mm) :	51 x 592 x 522
Net weight (kg) :	14.0
Gross weight (kg) :	15.0
Residual heat indicator :	Separate
Location of control panel :	Hob front
Basic surface material :	Glass ceramic
Color of surface :	Black
Approval certificates :	AENOR, CE
Length of electrical supply cord (cm) :	110
EAN code :	4242002848822
Electrical connection rating (W) :	7400
Voltage (V) :	220-240
Frequency (Hz) :	60; 50



4 242002 848822

## Serie | 6 Hobs

### **PXE651FC1E Induction Hob** **Three sided bevelled frameless finish** **592 mm**

**The induction hob with PerfectFry: achieve perfect frying results thanks to automatic temperature control.**

---

#### **Design**

- Three sided bevelled frameless finish

#### **Special features**

- 4 induction cooking zones
- 4 zone FlexInduction hob
- DirectSelect
- Digital display
- Variable 17-stage power settings for each zone
- Timer for all zones
  - Timer - shows how long the cooktop is in use
- Automatic pan recognition sensor
  - Power management options for 16A, 13A or 10A connection
  - Automatic safety shut off
  - Control panel lock
- QuickStart function
- ReStart function
- Energy consumption display
- Cable included
- Connection cable (1.1 M )
- Connected load: 7.4 kW

#### **Power and size:**

- Cooking zones: 1 x Ø 400 mmx240 mm, 3.3 KW (max. Power levels 3.7 KW) Induction or 2 x Ø 190 mm, 2.2 KW (max. Powerlevels 3.7 KW) Induction; 1 x Ø 145 mm, 1.4 KW (max. Power levels 2.2 KW) Induction;1 x Ø 210 mm, 2.2 KW (max. Power levels 3.7 KW) Induction
- Min. worktop thickness: 30 mm

#### **Safety Features**

- 2 stage residual heat indicator for each zone
- Main on/off switch

#### **Control:**

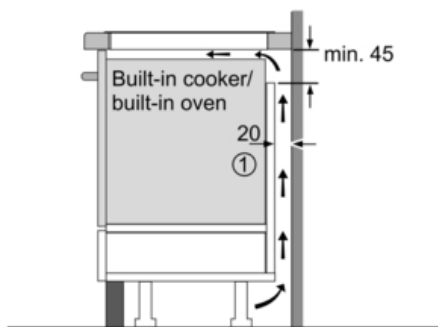
- PerfectFry sensor with 5 temperature settings

#### **Quickness:**

- PowerBoost function for all zones

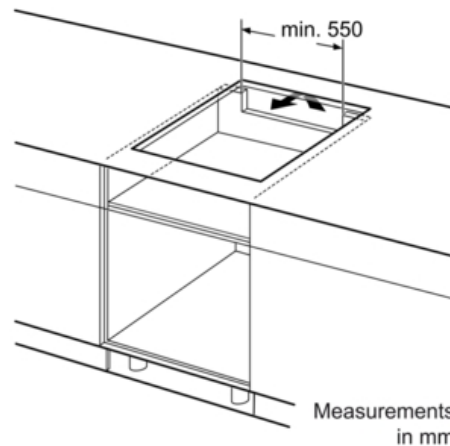
## Serie | 6 Hobs

### PXE651FC1E Induction Hob Three sided bevelled frameless finish 592 mm

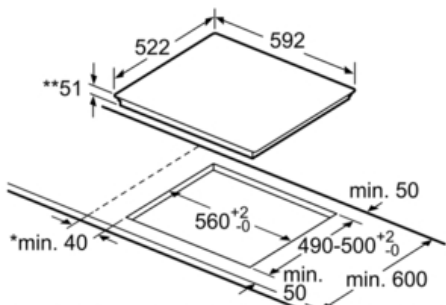


①  
Ventilation gap must  
be present

All measurements in mm

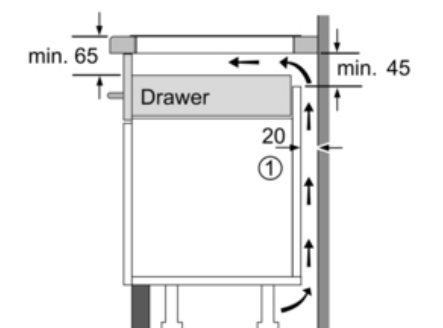


Measurements  
in mm



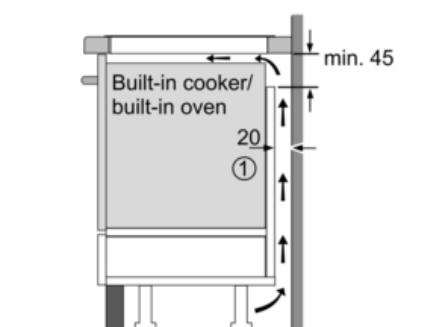
\* Minimum distance from the  
hob cut-out to the wall  
\*\* Recessed depth  
\*\*\* With fitted oven underneath min. 30,  
possibly more; see space requirements  
for the oven

measurements in mm



①  
Ventilation gap must  
be present.

Measurements in mm



①  
Ventilation gap must  
be present

All measurements in mm