

Serie | 8 Tumble Dryer

WTW87560GB

Condenser tumble dryer with heat pump



A++

The dryer with SelfCleaning Condenser™: the only life-long A++ dryer.

- **SelfCleaning Condenser™**: no more manual cleaning, plus energy savings in class A++ for the life of the dryer.
- **AllergyPlus / ECARF Quality Seal**: specially developed for the needs of allergy sufferers.
- **Sensitive Drying system**: soft, even drying thanks to the unique drum structure.
- Easy to operate thanks to the intuitive user interface.

Technical Data

| | |
|---|---------------------|
| Construction type : | Freestanding |
| Removable work top : | No |
| Door hinge : | Right |
| Length of electrical supply cord (cm) : | 145.0 |
| Height of removable worktop (mm) : | 842 |
| Dimensions of the product (mm) : | 842 x 598 x 599 |
| Net weight (kg) : | 57.0 |
| Fluorinated greenhouse gases : | Yes |
| Type of refrigerant : | R407C |
| Hermetically sealed equipment : | Yes |
| Quantity of fluorinated gases (kg) : | 0.290 |
| The quantity expressed in CO2 equivalent (t) : | 0.514 |
| EAN code : | 4242002815718 |
| Connection rating (W) : | 1000 |
| Current (A) : | 10 |
| Voltage (V) : | 220-240 |
| Frequency (Hz) : | 50 |
| Approval certificates : | CE, VDE |
| Capacity (kg) : | 9.0 |
| Standard cotton programme : | Cotton cupboard dry |
| Energy efficiency : | A++ |
| Energy consumption electric dryer, full load - NEW (2010/30/EC) : | 2.13 |
| Standard cotton programme time at full load (min) : | 157 |
| Energy consumption electric dryer, partial load - NEW (2010/30/EC) (kWh) : | 1.21 |
| Standard cotton programme time at partial load (min) : | 97 |
| Weighted annual energy consumption, electric dryer - NEW (2010/30/EC) (kWh) : | 259.0 |
| Weighted programme time (min) : | 123 |
| Average condensation efficiency full load (%) : | 87 |
| Average condensation efficiency partial load (%) : | 94 |
| Weighted condensation efficiency (%) : | 91 |



Optional accessories

WTZ10290 : Cover plate

Serie | 8 Tumble Dryer

WTW87560GB

Condenser tumble dryer with heat pump

The dryer with SelfCleaning Condenser™: the only life-long A++ dryer.

Performance

- Energy efficiency class: A++
- Condenser dryer with heat pump technology
- Capacity: 9 kg
- Energy consumption 259.0 kWh per year, based on 160 drying cycles of the standard cotton programme at full and partial load, and the consumption of the low-power modes. Actual energy consumption per cycle will depend on how the appliance is used
- Energy consumption of the standard cotton programme at full load 2.13 kWh and energy consumption of the standard cotton programme at half load 1.21 kWh
- The programme Cottons cupboard dry used at full and partial load is the standard drying programme to which the information in the label and the fiche relates, this programme is suitable for drying normal wet cotton laundry and is the most efficient programme in terms of energy consumption for cotton.
- Power consumption in off-mode 0.1 W and in left-on mode 0.1 W
- Duration of left-on mode: 30 min
- Weighted programme time of the standard cotton programme at full and partial load: 123 min.
- Programme time of the standard cotton programme at full load 157 min and programme time of the standard cotton programme at partial load 97 min.
- Condensation efficiency class A on a scale from G (least efficient) to A (most efficient).
- Average condensation efficiency of the standard cotton programme at full load 87 % and average condensation efficiency of the standard cotton programme at partial load 94 %.
- Weighted condensation efficiency for the standard cotton programme at full and partial load: 91 %.
- Noise level: 64 dB (A) re 1 pW

Programmes/functions

- Fully electronic control dial for sensor programmes and timed programmes
- Special programmes: Woollens, Mixed Load, Towels, Duvet, Timed programme warm, Timed programme cold, Cottons, Easy-Care, Allergy +, Sportswear, Down, Super Quick 40, Shirts/blouses, Delicates
- Touch control buttons: Low heat, Buzzer, start/pause, Drying aim, Power button, fine-tuning for drying level, Child lock 3 sec., Reduced ironing 60 mins, Reduced ironing 120 mins, 24 hour Time Delay

Key features

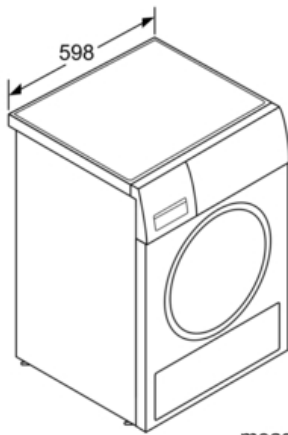
- Heat Pump with self cleaning condenser
- Sensitive drying: large stainless steel drum with textile care and revolution drying system
- AntiVibration design: for greater stability and quietness

Additional features

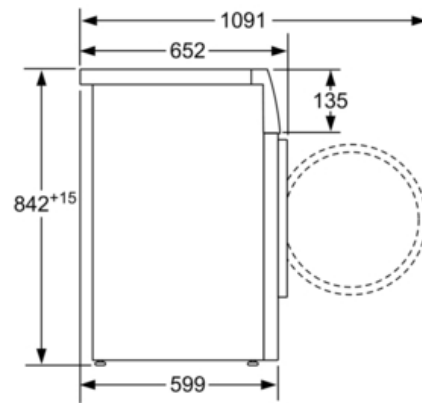
- Large LED display for remaining time and 24 hours time delay, programme progress indication and special functions
- Anti crease cycle 120 minutes at the end of the programme
- Jog dial
- Drum interior light
- Buzzer to indicate the end of cycle
- Child lock
- Door hinge: right-hand
- Container for condensed water

Technical Information

- Dimensions (H X W X D): 84.2 x 59.8 x 59.9 cm
- slide-under installation
- Glass door, chrome, white

Serie | 8 Tumble Dryer**WTW87560GB****Condenser tumble dryer with heat pump**

measurements in mm



measurements in mm